

ASSOCIATED PUMP ENGINEERS

**VERTICAL MULTISTAGE IN-LINE
STAINLESS STEEL
CENTRIFUGAL PUMP**



Vertical multistage in-line Stainless steel centrifugal pump

1. Applications

VMS & VMSS vertical multistage in-line stainless steel centrifugal pumps are designed for the following applications:

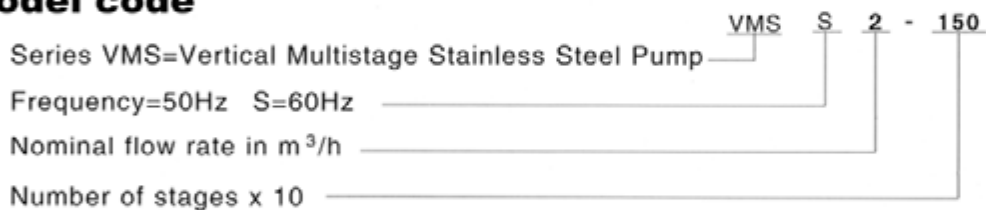
a. Pumped liquids

Thin, non-explosive liquids, not containing solid particles. The liquid must not attack the pump materials chemically. When pumping liquids with a density or viscosity higher than that of water, motor with correspondingly higher outputs must be used, if required.

b. Application

- Municipal water supply and pressure boosting
- Domestic water supply
- Boiler feed and condensate systems
- Cooling water systems
- Irrigation and dewatering
- Fire fighting
- Washing plants and washdown

2. Model code



3. Technical Data

a. Ambient Temperature

Maximum: +40°C

b. Liquid Temperature

Standard design: -15°C to +90°C

For hot water design: -15°C to +120°C

c. Min suction pressure

According to NPSH add 0.5m water head.

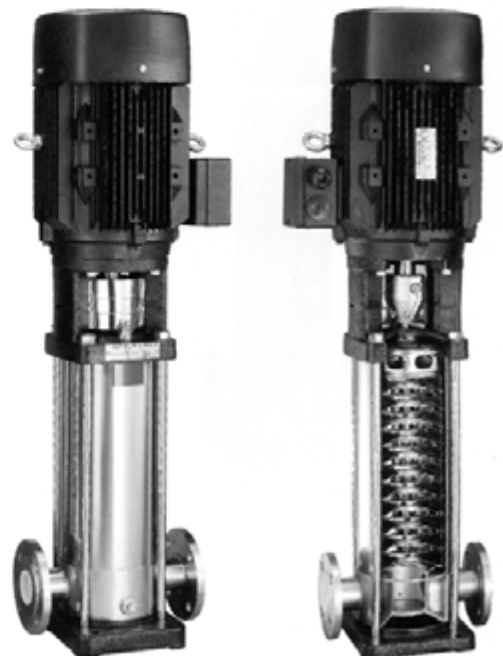
d. Electric Motor standard be supplied as:

50Hz, single phase 220V-240V or three phase 380V-415V, aluminum casing, IP55, class F.

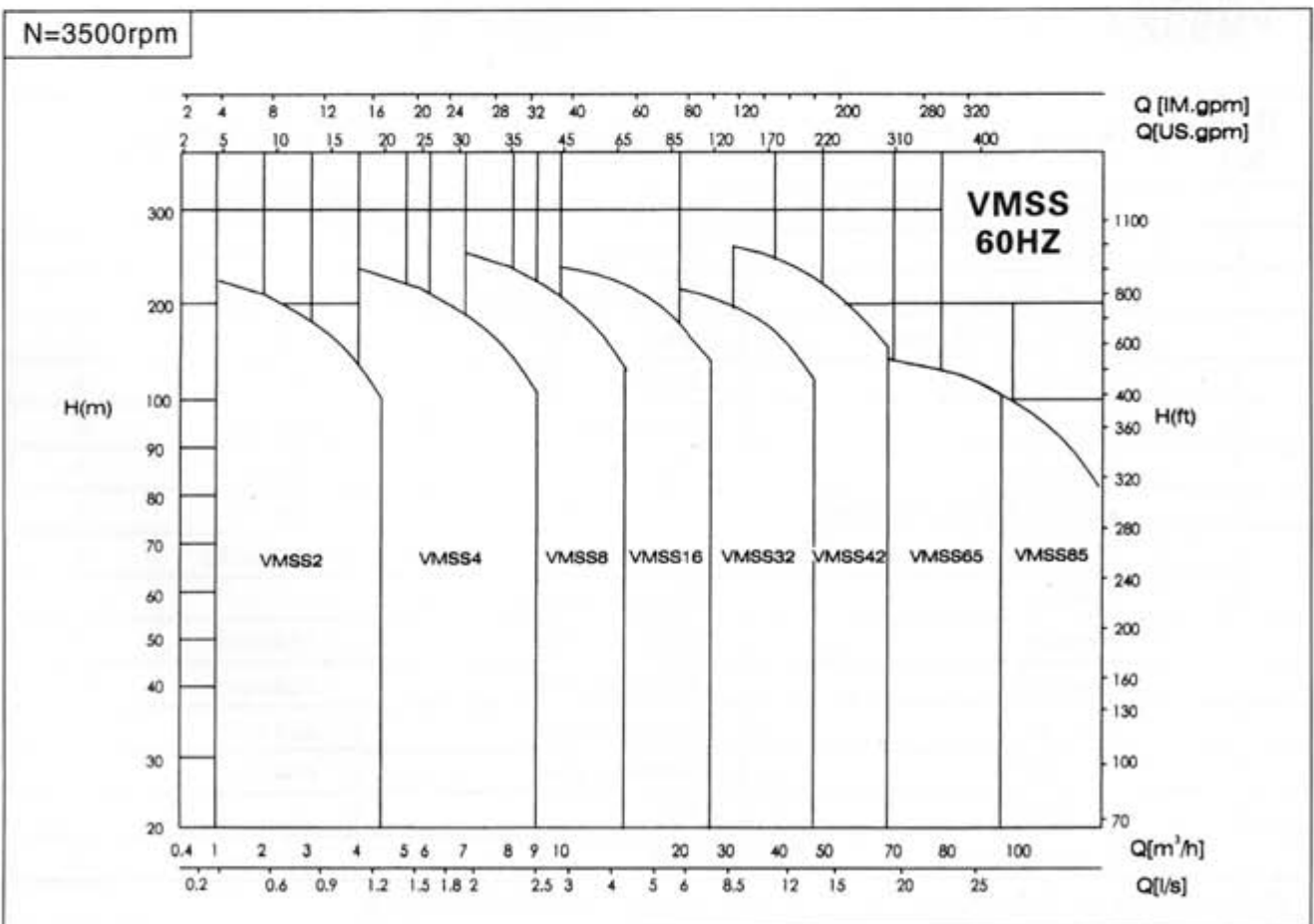
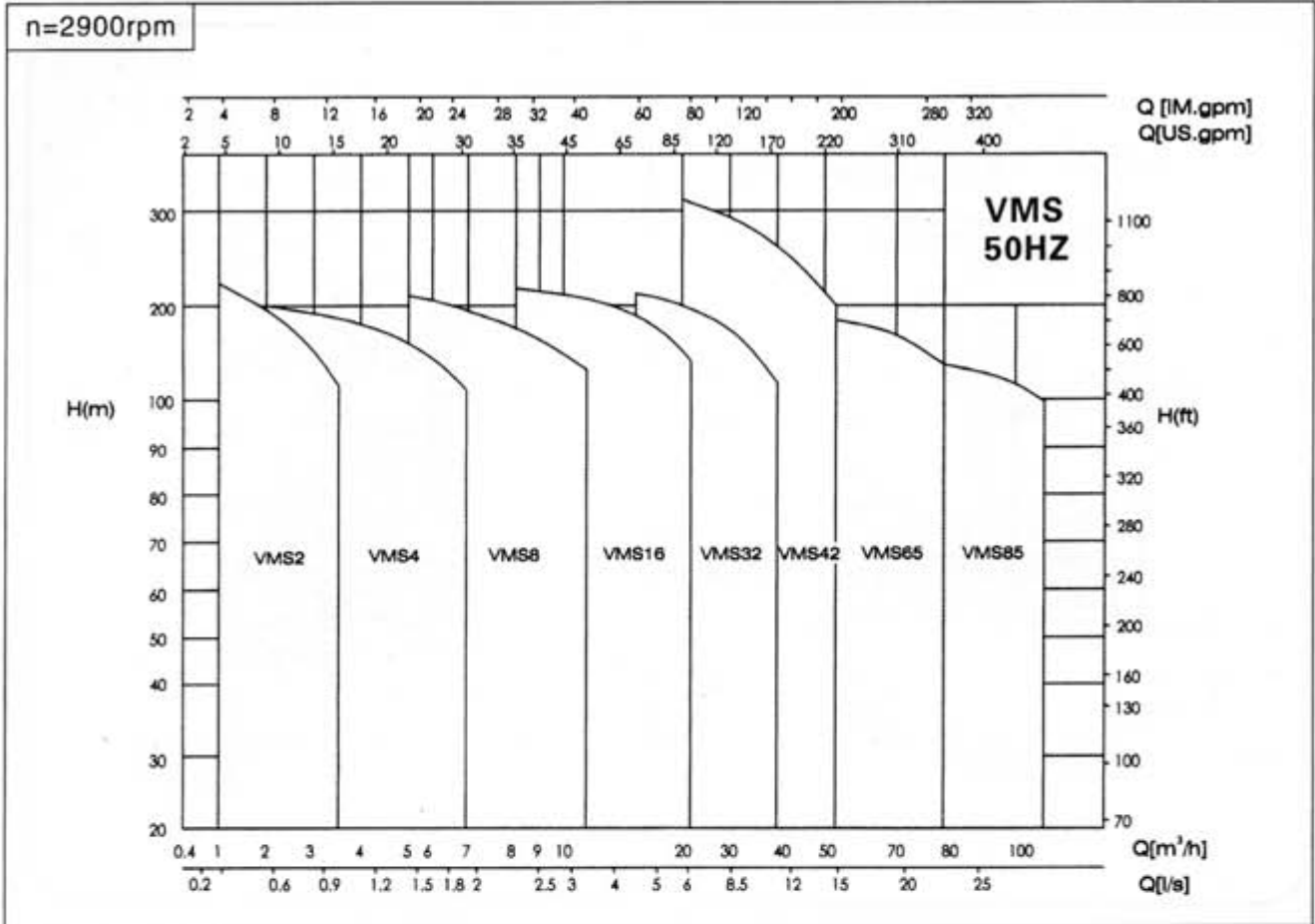
60Hz, single phase 110V or three phase 220V, aluminum casing, IP55, class F.

NEMA standard motor on request

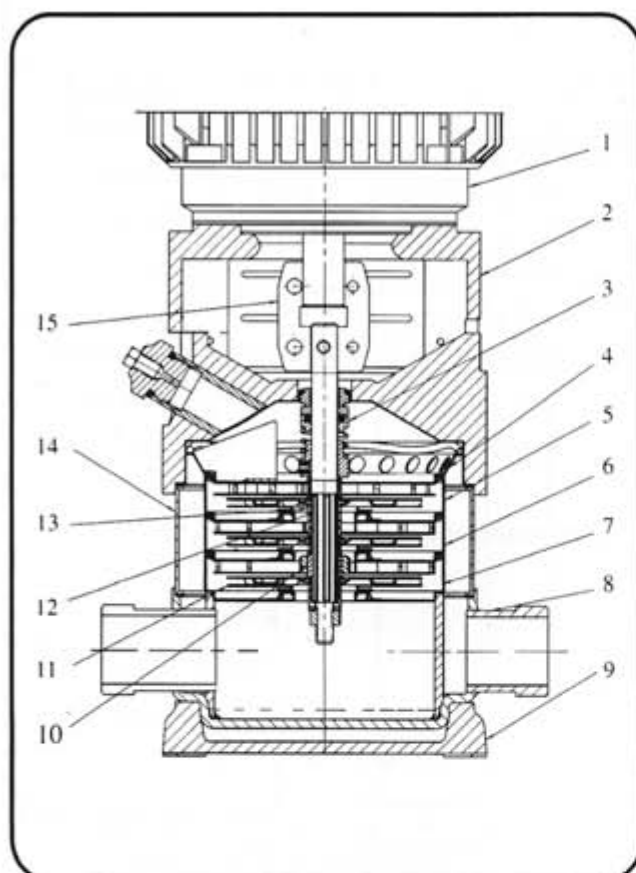
e. Pump's material can be supplied in 304 or 316 stainless steel.



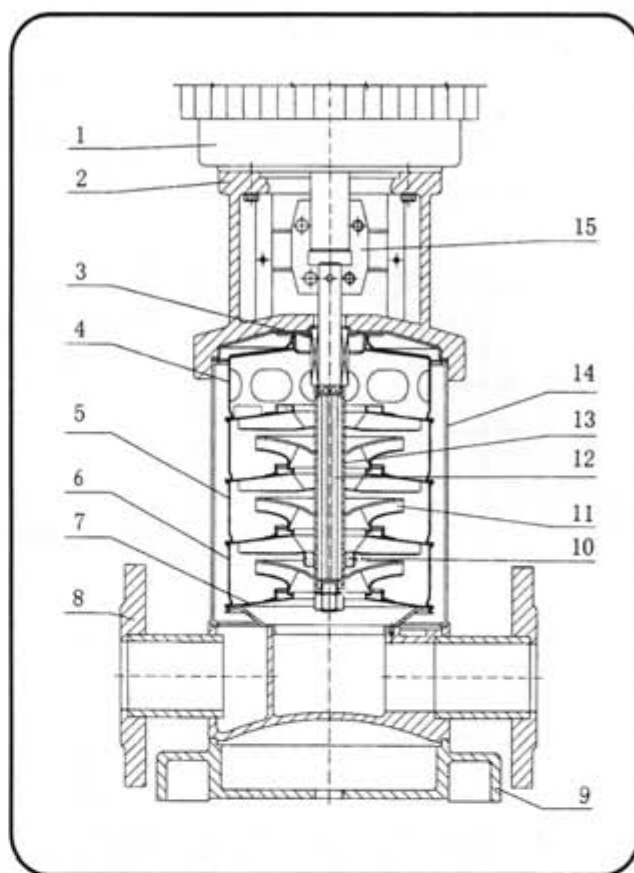
Selection charts



General arrangement drawing



VMS2,4
VMSS2,4

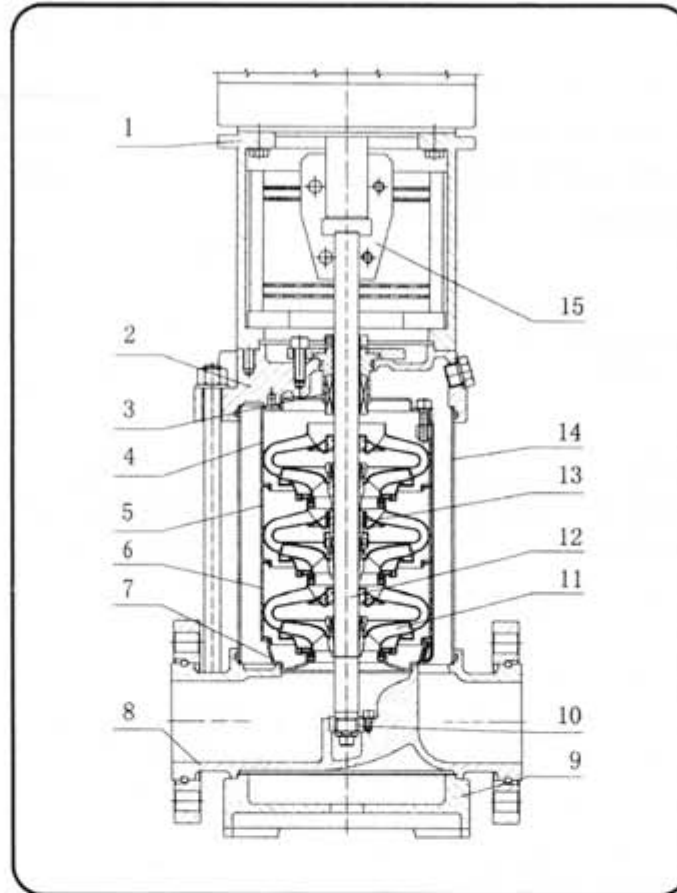


VMS8,16
VMSS8,16

Item No	Name	Material	AISI/ASTM
1	Electric motor		
2	Motor base	Cast iron	ASTM25B
3	Mechanical seal	Tungsten Carbide/Graphite	
4	Discharge diffuser	Stainless steel	304
5	Support diffuser	Stainless steel	304
6	Diffuser	Stainless steel	304
7	Inducer	Stainless steel	304
8	Suction & discharge head	Stainless steel	304
9	Pump base	Cast iron	ASTM25B
10	Bearing	Tungsten carbide	
11	Impeller	Stainless steel	304
12	Shaft	Stainless steel	304
13	Sleeve	Stainless steel	304
14	Cylinder	Stainless steel	304
15	Coupling	Alloy	
	Rubber parts	FPM	

Cast iron suction & discharge head are available for VMS16 & VMSS16

General arrangement drawing



VMS32,42,65,85
VMSS32,42,65,85

Item No	Name	Material	AISI/ASTM
1	Motor base	Cast iron	ASTM25B
2	Pump head	Cast iron	ASTM25B
3	Mechanical seal	Tungsten Carbide/Graphite	
4	Discharge diffuser	Stainless steel	304
5	Support diffuser	Stainless steel	304
6	Diffuser	Stainless steel	304
7	Inducer	Stainless steel	304
8	Suction & discharge head	Stainless steel or cast iron	304 or ASTM25B
9	Pump base	Cast iron	ASTM25B
10	Bearing	Tungsten carbide	
11	Impeller	Stainless steel	304
12	Shaft	Stainless steel	304
13	Sleeve	Stainless steel	304
14	Cylinder	Stainless steel	304
15	Coupling	Carbon steel	
	Rubber parts	FPM	

Max suction pressure(50HZ)

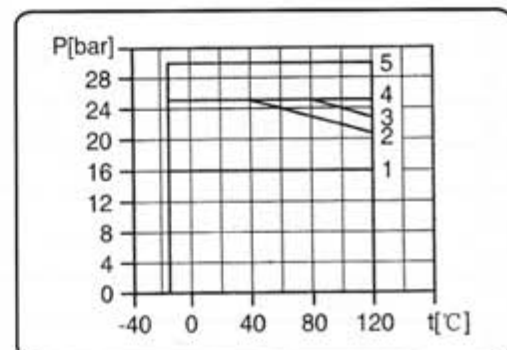
The maximum suction pressure is shown in the table below. But the actual suction pressure plus the valve close pressure of the pump shall be lower than the max.Allowable working pressure.

Model	Max Suction pressure
VMS2	
2-20	6[bar]
2-30~2-110	10[bar]
2-130~2-260	15[bar]
VMS4	
4-20	6[bar]
4-30~4-100	10[bar]
VMS8	
8-20/1~8-60	6[bar]
8-80~8-200	10[bar]
VMS16	
16-20/1~16-30	6[bar]
16-40~16-160	10[bar]
VMS32	
32-10-1~32-20-2	3[bar]
32-20~32-40	4[bar]
32-50-2~32-100	10[bar]
32-110-2~32-140	15[bar]
VMS42	
42-10-1	3[bar]
42-10~42-50	4[bar]
42-30-2~42-50	10[bar]
42-60-2~42-130-2	15[bar]
VMS65	
65-10-1~65-20-2	4[bar]
65-20-1~65-30	10[bar]
65-40-2~65-80-1	15[bar]
VMS85	
85-10-1~85-10	4[bar]
85-20-2~85-30-2	10[bar]
85-30-1~85-60	15[bar]

Max working pressure(50HZ)

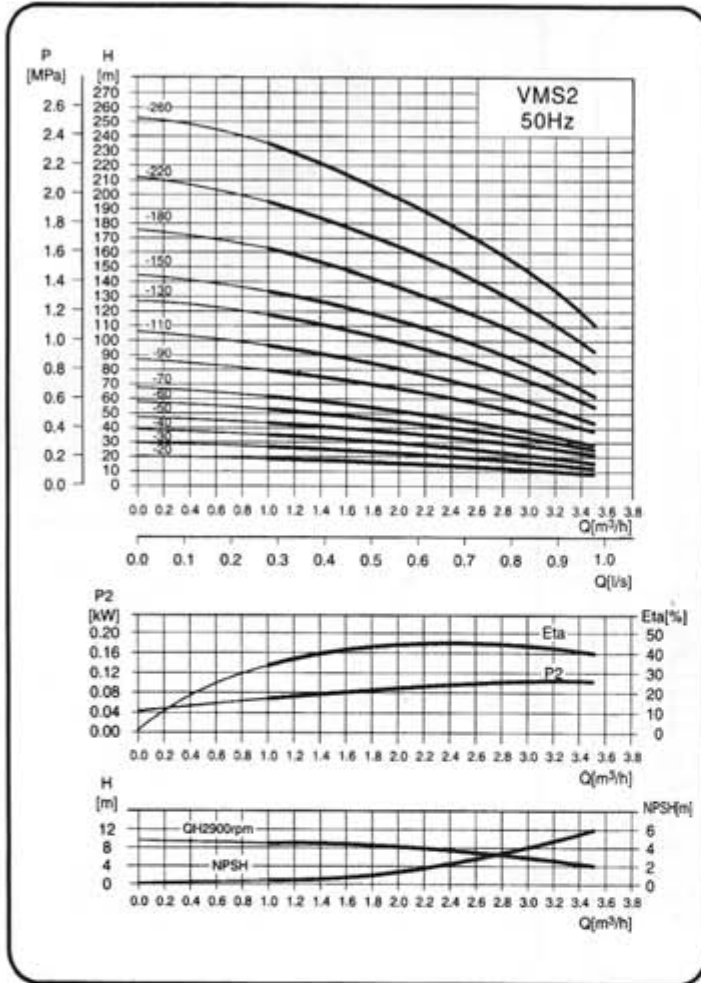
Model	Curve number
VMS2	
2-20-150	1
2-180~2-260	2
VMS4	
4-20~4-140	1
4-160~4-220	2
VMS8	
8-20/1~8-120	1
8-140~8-220	3
VMS16	
16-20~16-80	1
16-100~16-160	3
VMS32	
32-10-1~32-70	1
32-80-2~32-120	4
32-130~32-140	5
VMS42	
42-10-1~42-60	1
42-70-2~42-90	4
42-100-2~42-130-2	5
VMS65	
65-10-1~65-50	1
65-60-2~65-80-1	4
VMS85	
85-10-1~85-50-2	1
85-50~85-60	4

The following figure shows the limitation of pressure and temperature, which shall be kept within the region as shown in the figure.



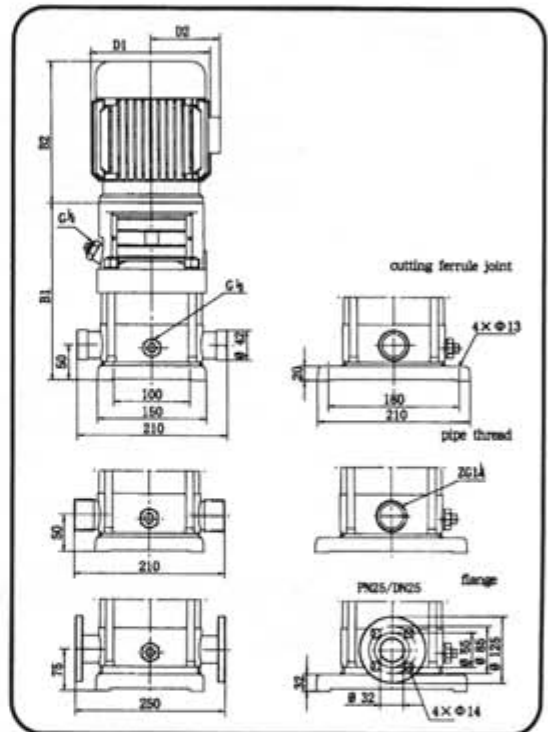
Technical Data

Performance curve



VMS 2

Dimensions



Performance table

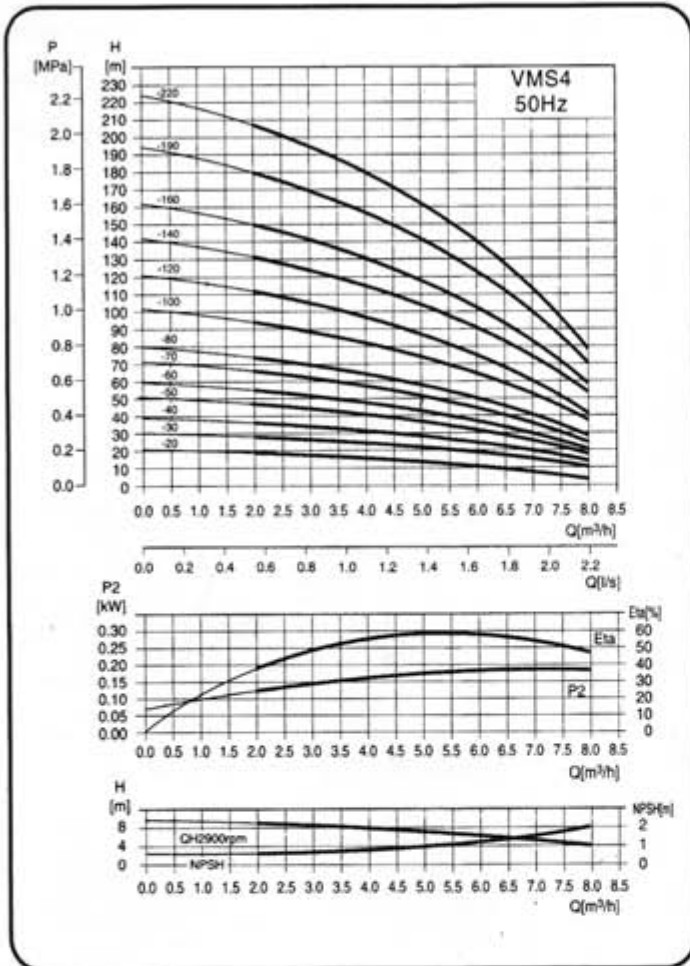
Model	Power (kW)	Q (m³/h)	H (m)								
			1	1.2	1.6	2.0	2.4	2.8	3.2	3.5	
VMS2-20	0.37		18	17	16	15	13	12	10	8	
VMS2-30	0.37		27	26	24	22	20	18	15	12	
VMS2-40	0.55		36	35	33	30	26	24	20	16	
VMS2-50	0.55		45	43	40	37	33	30	24	20	
VMS2-60	0.75		53	52	50	45	40	36	30	24	
VMS2-70	0.75		63	61	57	52	47	41	35	28	
VMS2-90	1.1		80	78	73	67	61	54	45	37	
VMS2-110	1.1		98	95	89	82	73	64	54	44	
VMS2-130	1.5		116	114	106	98	89	78	65	52	
VMS2-150	1.5		134	130	123	112	100	90	73	60	
VMS2-180	2.2		161	157	148	136	121	108	91	76	
VMS2-220	2.2		197	192	180	165	148	130	110	90	
VMS2-260	3.0		232	228	214	198	179	158	130	110	

Size and weight

Model	Size (mm)					Weight (kg)
	B1	B2	B1+B2	D1	D2	
VMS2-20	220	210	430	148	117	20
VMS2-30	238	210	448	148	117	20
VMS2-40	256	210	466	148	117	20
VMS2-50	274	210	484	148	117	20
VMS2-60	297	245	542	170	142	25
VMS2-70	315	245	560	170	142	25
VMS2-90	351	245	596	170	142	30
VMS2-110	387	245	632	170	142	30
VMS2-130	440	290	730	190	155	35
VMS2-150	476	290	766	190	155	35
VMS2-180	530	290	820	190	155	40
VMS2-220	602	290	892	190	155	45
VMS2-260	682	315	997	197	165	50

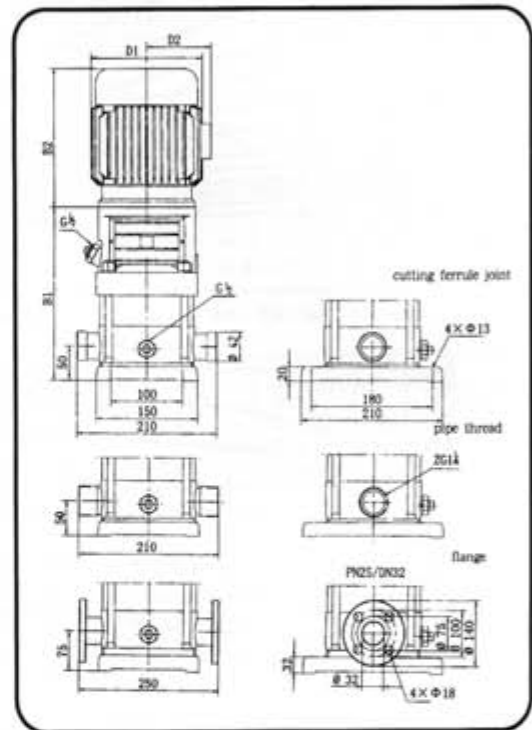
Technical Data

Performance curve



VMS 4

Dimensions



Performance table

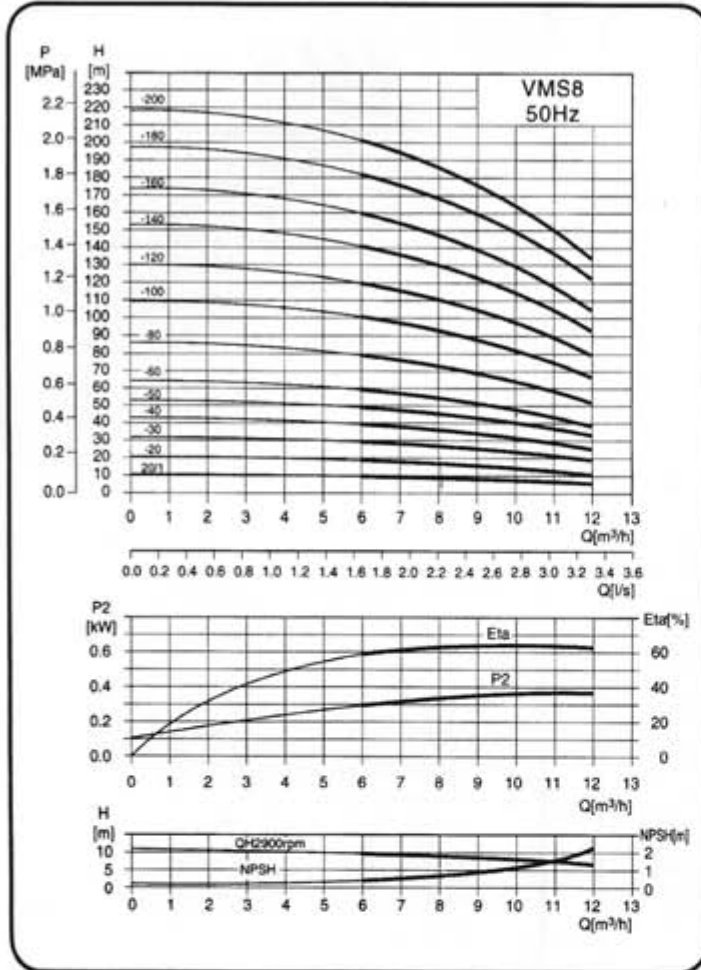
Model	Power (kW)	Q (m³/h)	1.5	2.0	3.0	4.0	5.0	6.0	7.0	8.0
VMS4-20	0.37	H (m)	19	18	17	15	13	10	8	6
VMS4-30	0.55		28	27	26	24	20	18	13	10
VMS4-40	0.75		38	36	34	32	27	24	19	13
VMS4-50	1.1		47	45	43	40	34	31	23	17
VMS4-60	1.1		56	54	52	48	41	37	28	20
VMS4-70	1.5		66	63	61	56	48	43	33	24
VMS4-80	1.5		74	72	70	64	55	50	38	27
VMS4-100	2.2		96	90	87	81	71	62	48	34
VMS4-120	2.2		114	108	104	95	85	75	58	41
VMS4-140	3.0		136	126	122	112	101	89	68	48
VMS4-160	3.0		152	144	140	129	115	101	78	55
VMS4-190	4.0		183	171	168	153	137	122	93	67
VMS4-220	4.0		211	200	192	178	160	138	108	79

Size and weight

Model	Size (mm)					Weight (kg)
	B1	B2	B1+B2	D1	D2	
VMS4-20	238	210	448	148	117	20
VMS4-30	265	210	475	148	117	20
VMS4-40	297	245	542	170	142	20
VMS4-50	324	245	569	170	142	25
VMS4-60	351	245	596	170	142	25
VMS4-70	395	290	685	190	155	30
VMS4-80	422	290	712	190	155	30
VMS4-100	476	290	766	190	155	30
VMS4-120	530	290	820	190	155	35
VMS4-140	592	315	907	197	165	35
VMS4-160	646	315	961	197	165	40
VMS4-190	727	335	1062	230	188	45
VMS4-220	808	335	1143	230	188	50

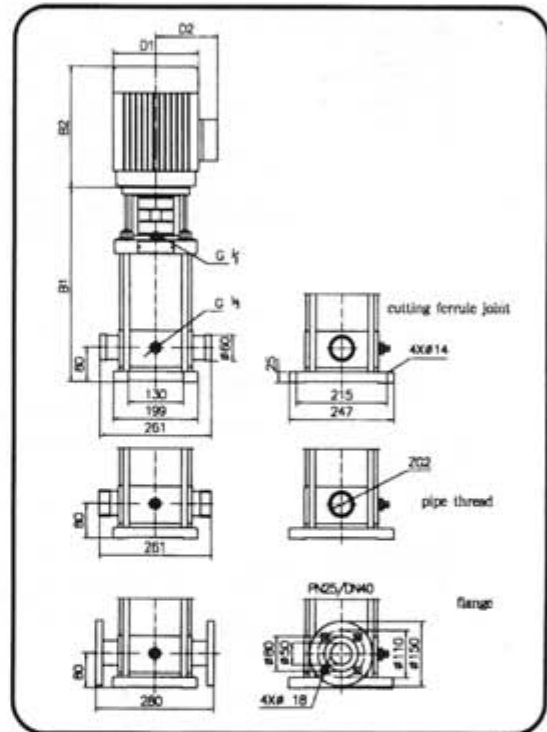
Technical Data

Performance curve



VMS 8

Dimensions



Performance table

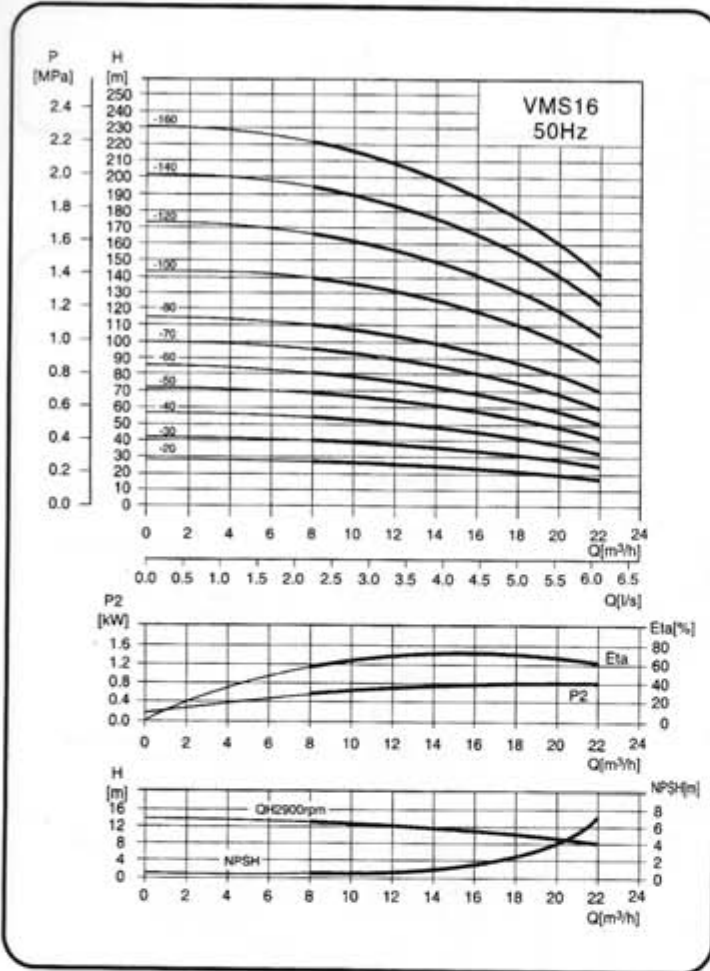
Model	Power (kW)	Q (m³/h)	5	6	7	8	9	10	11	12
VMS8-20/1	0.75	H (m)	10	9.5	9.3	9	8.5	8	7	6
VMS8-20	0.75		20	19.5	19	18	17	16	14	13
VMS8-30	1.1		30	29.5	28.5	27	25	24	21	19
VMS8-40	1.5		41	39.5	38	36	34	32	28	26
VMS8-50	2.2		52	50	48	45	42	40	36	32
VMS8-60	2.2		62	60	57	54	51	48	43	39
VMS8-80	3.0		83	80	77	73	69	65	58	52
VMS8-100	4.0		104	100	97	92	87	81	73	65
VMS8-120	4.0		124	120	116	111	104	92	87	78
VMS8-140	5.5		145	141	136	130	122	113	102	92
VMS8-160	5.5		166	161	156	148	139	130	118	106
VMS8-180	7.5		187	182	175	167	157	146	134	120
VMS8-200	7.5		208	202	195	186	175	163	150	135

Size and weight

Model	Size (mm)					Weight (kg)
	B1	B2	B1+B2	D1	D2	
VMS8-20/1	350	245	595	170	142	25
VMS8-20	350	245	595	170	142	25
VMS8-30	380	245	625	170	142	30
VMS8-40	420	290	710	190	155	30
VMS8-50	450	290	740	190	155	40
VMS8-60	480	290	770	190	155	40
VMS8-80	550	315	865	197	165	45
VMS8-100	610	335	945	230	188	55
VMS8-120	670	335	1005	230	188	55
VMS8-140	750	430	1180	260	208	80
VMS8-160	810	430	1240	260	208	80
VMS8-180	870	430	1300	260	208	90
VMS8-200	930	430	1360	260	208	90

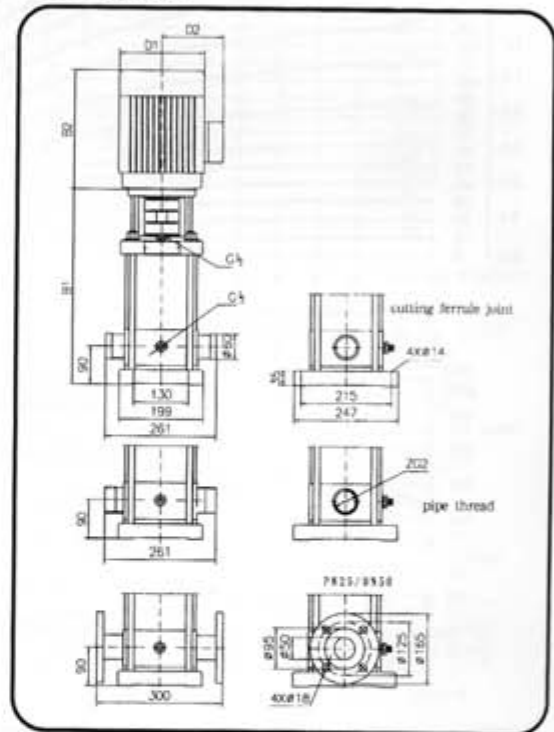
Technical Data

Performance curve



VMS 16

Dimensions



Performance table

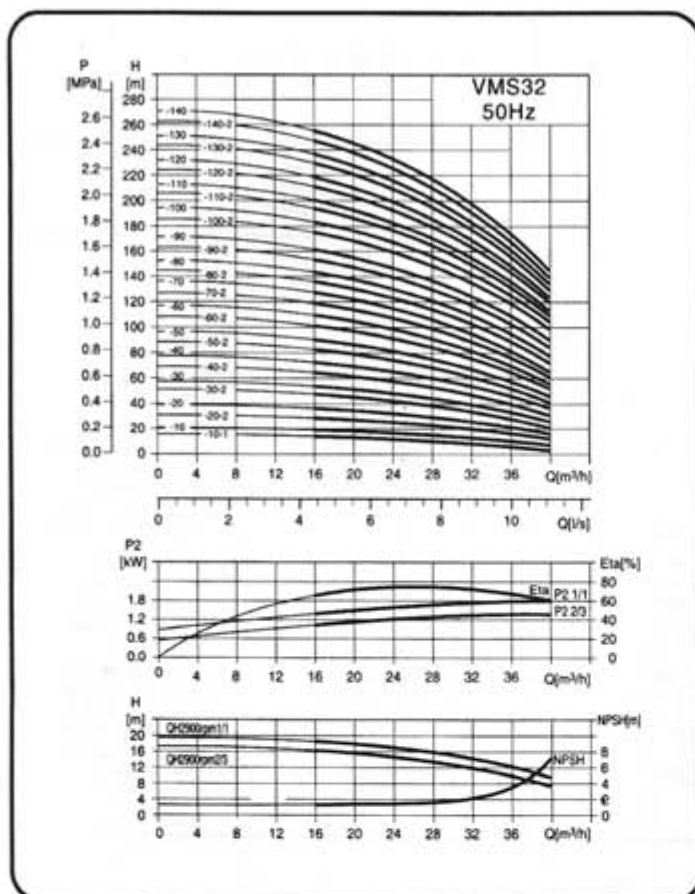
Model	Power (kW)	Q (m³/h)	8	10	12	14	16	18	20	22
VMS16-20	2.2	H (m)	27	26	25	24	22	21	19	16
VMS16-30	3.0		41	40	38	37	34	32	26	25
VMS16-40	4.0		54	53	52	49	46	43	38	34
VMS16-50	5.5		68	67	65	62	58	54	48	43
VMS16-60	5.5		82	80	78	74	70	64	58	52
VMS16-70	7.5		96	95	91	87	82	76	68	61
VMS16-80	7.5		110	108	104	99	94	86	77	70
VMS16-100	11		138	136	131	125	118	109	97	87
VMS16-120	11		166	162	157	150	141	130	116	105
VMS16-140	15		194	190	184	175	166	152	136	122
VMS16-160	15		222	217	210	200	189	174	156	140

Size and weight

Model	Size (mm)					Weight (kg)
	B1	B2	B1+B2	D1	D2	
VMS16-20	400	290	690	190	155	40
VMS16-30	455	315	770	197	165	50
VMS16-40	500	335	835	230	188	55
VMS16-50	565	430	995	260	208	70
VMS16-60	610	430	1040	260	208	75
VMS16-70	655	430	1085	260	208	80
VMS16-80	700	430	1130	260	208	80
VMS16-100	820	490	1310	330	255	140
VMS16-120	910	490	1400	330	255	145
VMS16-140	1000	490	1490	330	255	160
VMS16-160	1090	490	1580	330	255	165

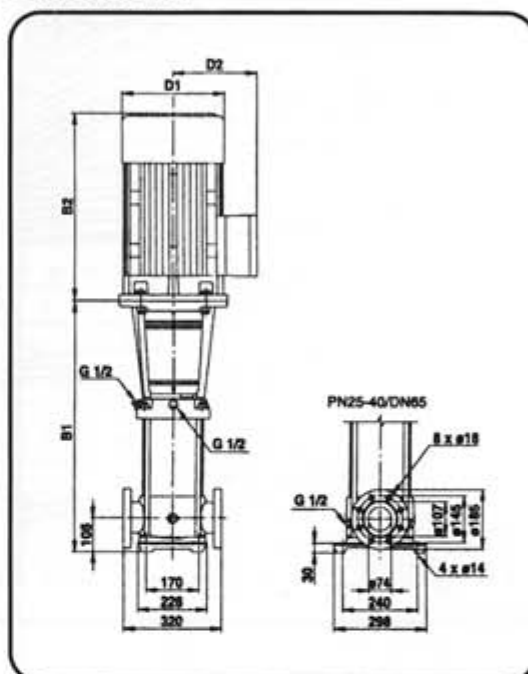
Technical Data

Performance curve



VMS 32

Dimensions



Performance table

Model	Power (kW)	Q (m³/h)	16	20	24	28	32	36	40
VMS32-10-1	1.5	H (m)	14	13	12	11	9	7	4
VMS32-10	2.2		18	17	15	14	13	11	8
VMS32-20-2	3.0		29	28	26	23	20	16	11
VMS32-20	4.0		36	34	32	29	27	23	18
VMS32-30-2	5.5		47	44	41	38	33	28	21
VMS32-30	5.5		54	51	48	44	40	35	27
VMS32-40-2	7.5		65	62	58	53	46	40	30
VMS32-40	7.5		72	69	65	59	53	47	37
VMS32-50-2	11		83	79	74	68	60	52	41
VMS32-50	11		90	86	81	74	67	59	47
VMS32-60-2	11		101	97	90	83	74	65	51
VMS32-60	11		108	104	97	90	81	72	57
VMS32-70-2	15		119	114	107	98	88	78	60
VMS32-70	15		126	121	113	105	95	85	67
VMS32-80-2	15		136	131	123	114	102	90	71
VMS32-80	15		144	138	130	120	109	97	77
VMS32-90-2	18.5		154	148	140	129	117	102	82
VMS32-90	18.5		162	156	147	136	124	109	88
VMS32-100-2	18.5		175	166	157	146	131	115	91
VMS32-100	18.5		182	173	164	152	138	122	98
VMS32-110-2	22	193	184	173	162	146	128	102	
VMS32-110	22	200	191	180	168	153	135	109	
VMS32-120-2	22	211	201	189	178	160	140	113	

Size and weight

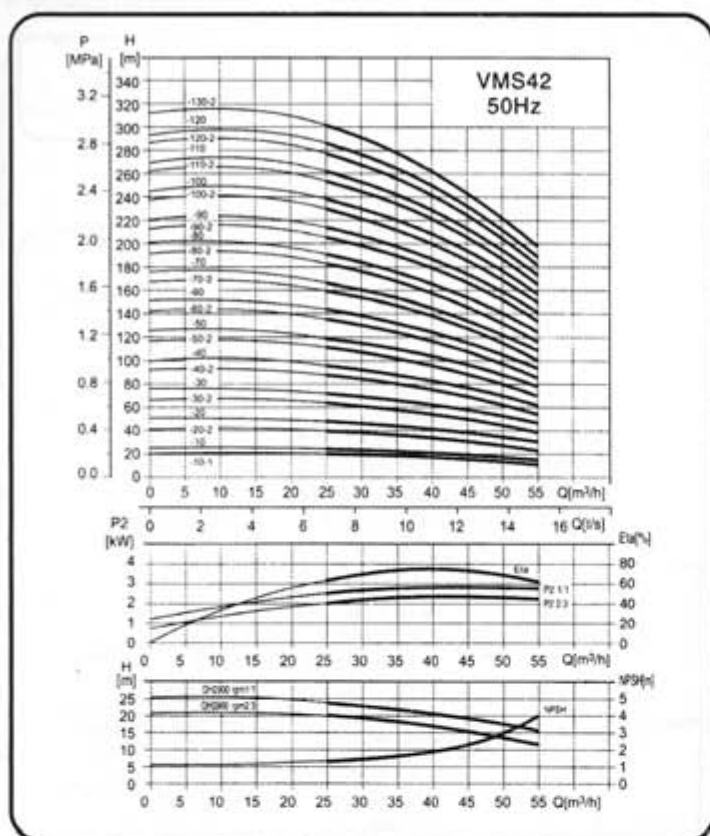
Model	Size (mm)					Weight (kg)
	B1	B2	B1+B2	D1	D2	
VMS32-10-1/VMS32-10	505	290	795	190	155	68/71
VMS32-20-2/VMS32-20	575	315/335	890/910	197/230	165/188	78/84
VMS32-30-2/VMS32-30	645	430	1075	260	208	93
VMS32-40-2/VMS32-40	715	430	1145	260	208	102
VMS32-50-2/VMS32-50	890	490	1380	330	255	172
VMS32-60-2/VMS32-60	960	490	1450	330	255	176
VMS32-70-2/VMS32-70	1030	490	1520	330	255	188
VMS32-80-2/VMS32-80	1100	490	1590	330	255	192
VMS32-90-2/VMS32-90	1170	550	1720	330	255	218
VMS32-100-2/VMS32-100	1240	550	1790	330	255	222
VMS32-110-2/VMS32-110	1310	590	1900	360	285	259
VMS32-120-2/VMS32-120	1380	590	1970	360	285	263
VMS32-130-2/VMS32-130	1450	660	2110	400	310	327
VMS32-140-2/VMS32-140	1520	660	2180	400	310	331

Performance table

Model	Power (kW)	Q (m³/h)	16	20	24	28	32	36	40
VMS32-120	22	H (m)	218	208	196	184	167	147	120
VMS32-130-2	30		230	218	206	193	174	153	124
VMS32-130	30		237	225	213	200	181	160	131
VMS32-140-2	30		247	235	222	210	189	165	135
VMS32-140	30		255	242	229	216	196	172	142

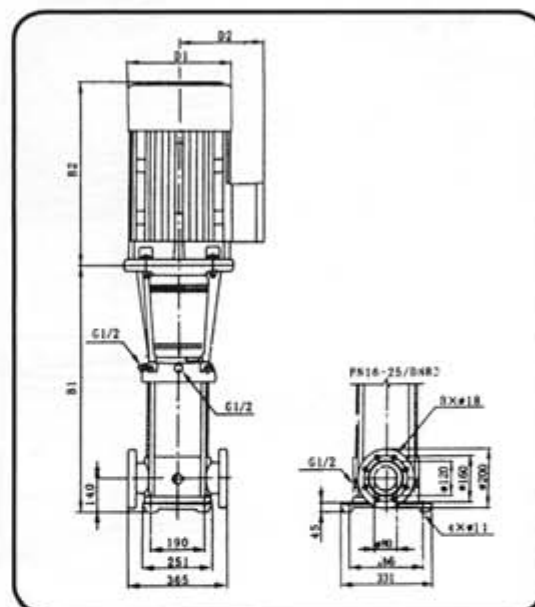
Technical Data

Performance curve



VMS 42

Dimensions



Performance table

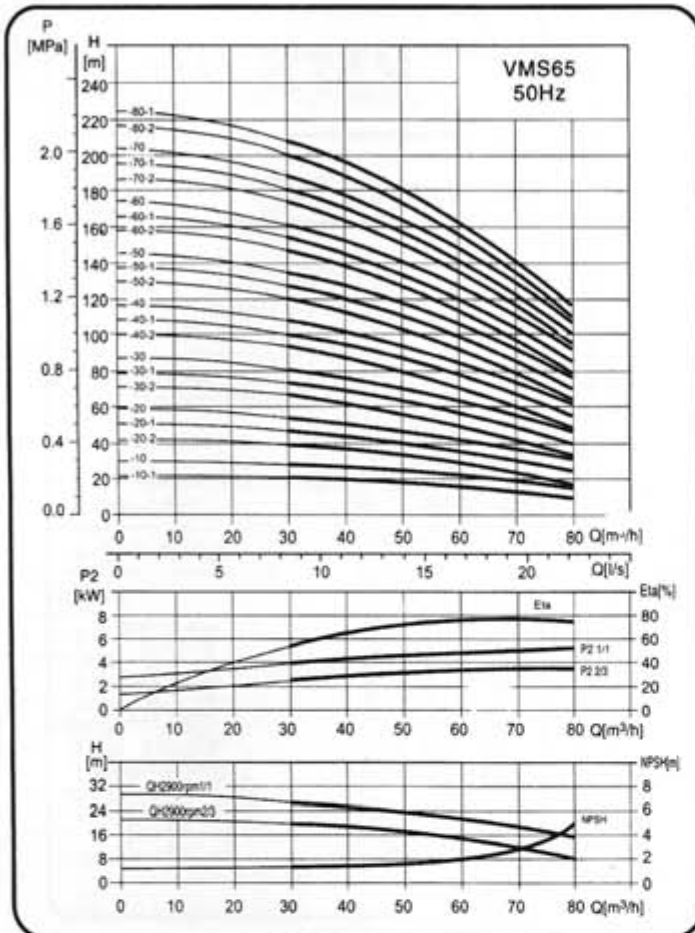
Model	Power (kW)	Q (m³/h)	H (m)								
			25	30	35	40	42	45	50	55	
VMS42-10-1	3.0		20	19	18	17	16	15	13	11	
VMS42-10	4.0		24	23	22	21	20	19	18	16	
VMS42-20-2	5.5		40	38	36	33	32	30	27	23	
VMS42-20	7.5		48	46	44	42	41	39	35	31	
VMS42-30-2	11		63	61	58	54	52	50	44	38	
VMS42-30	11		71	69	66	63	61	58	53	47	
VMS42-40-2	15		87	84	80	75	73	69	62	54	
VMS42-40	15		95	92	88	84	81	78	71	62	
VMS42-50-2	18.5		111	107	102	96	93	88	80	69	
VMS42-50	18.5		119	115	110	105	101	97	88	78	
VMS42-60-2	22	H (m)	135	130	124	117	113	108	97	85	
VMS42-60	22		143	138	132	125	122	116	106	93	
VMS42-70-2	30		158	152	146	138	134	127	115	100	
VMS42-70	30		166	161	154	146	142	135	124	109	
VMS42-80-2	30		182	175	168	159	154	146	133	116	
VMS42-80	30		190	184	176	167	162	154	141	124	
VMS42-90-2	30		205	198	190	180	174	166	150	132	
VMS42-90	37		214	207	198	188	183	174	159	140	
VMS42-100-2	37		230	221	212	200	194	185	168	147	
VMS42-100	37		238	230	220	209	203	193	177	155	
VMS42-110-2	45		255	246	236	223	217	206	188	165	
VMS42-110	45		263	255	244	232	225	214	196	173	
VMS42-120-2	45		280	270	259	245	238	226	206	181	
VMS42-120	45		289	280	268	255	247	236	216	190	
VMS42-130-2	45		305	294	282	267	259	247	225	198	

Size and weight

Model	Size (mm)					Weight (kg)
	B1	B2	B1+B2	D1	D2	
VMS42-10-1	561	315/335	876/896	197/230	165/188	86/92
VMS42-10						
VMS42-20-2	641	430	1071	260	208	102/107
VMS42-20						
VMS42-30-2	826	490	1316	330	255	175
VMS42-30						
VMS42-40-2	906	490	1396	330	255	187
VMS42-40						
VMS42-50-2	986	550	1536	330	255	208
VMS42-50						
VMS42-60-2	1066	590	1656	360	285	251
VMS42-60						
VMS42-70-2	1146	660	1806	400	310	315
VMS42-70						
VMS42-80-2	1226	660	1886	400	310	319
VMS42-80						
VMS42-90-2	1306	660	1966	400	310	323/343
VMS42-90						
VMS42-100-2	1386	660	2046	400	310	347
VMS42-100						
VMS42-110-2	1466	700	2166	450	345	413
VMS42-110						
VMS42-120-2	1546	700	2246	450	345	417
VMS42-120						
VMS42-130-2	1626	700	2326	450	345	421

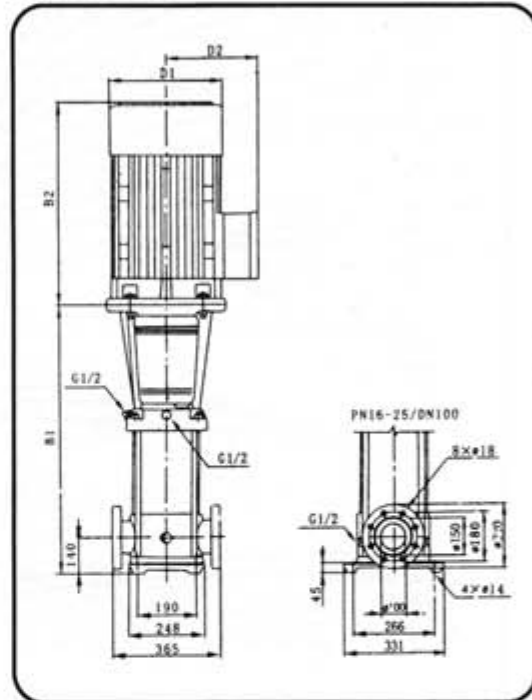
Technical Data

Performance curve



VMS 65

Dimensions



Performance table

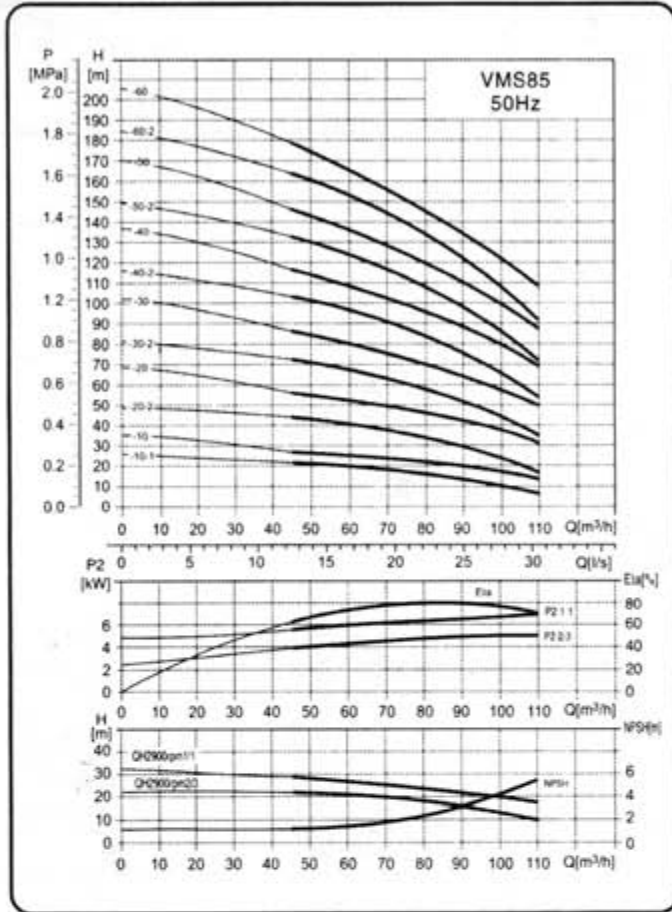
Model	Power (kW)	Q (m³/h)	30	40	50	60	65	70	80
VMS65-10-1	4.0	H (m)	19	18	16	14	13	11	8
VMS65-10	5.5		27	25	23	21	20	18	15
VMS65-20-2	7.5		39	36	33	29	26	23	17
VMS65-20-1	11		46	44	40	36	33	30	24
VMS65-20	11		53	51	47	43	40	37	30
VMS65-30-2	15		66	62	56	50	46	41	32
VMS65-30-1	15		73	69	63	57	53	48	39
VMS65-30	18.5		80	76	70	64	60	55	46
VMS65-40-2	18.5		92	87	80	71	66	60	47
VMS65-40-1	22		100	94	87	78	73	67	54
VMS65-40	22		107	101	94	85	80	74	61
VMS65-50-2	30		121	114	105	95	88	80	64
VMS65-50-1	30		128	121	112	102	95	87	71
VMS65-50	30		136	129	119	109	102	94	78
VMS65-60-2	30		150	142	131	118	110	101	81
VMS65-60-1	37		157	149	138	125	117	108	88
VMS65-60	37		164	156	145	132	124	115	95
VMS65-70-2	37		179	169	156	141	132	121	99
VMS65-70-1	37		186	176	163	148	139	128	106
VMS65-70	45		193	183	170	155	146	135	112
VMS65-80-2	45	207	196	182	164	154	142	116	
VMS65-80-1	45	215	203	189	171	161	149	123	

Size and weight

Model	Size (mm)					Weight (kg)
	B1	B2	B1+B2	D1	D2	
VMS65-10-1	561	335	896	230	188	105
VMS65-10	561	430	911	260	208	110
VMS65-20-2	644	430	1074	260	208	120
VMS65-20-1	754	490	1244	330	255	155
VMS65-20	754	490	1244	330	255	155
VMS65-30-2	836	490	1326	330	255	195
VMS65-30-1	836	490	1326	330	255	195
VMS65-30	836	550	1386	330	255	205
VMS65-40-2	919	550	1469	330	255	208
VMS65-40-1	919	590	1509	360	285	260
VMS65-40	919	590	1509	360	285	260
VMS65-50-2	1001	660	1661	400	310	345
VMS65-50-1	1001	660	1661	400	310	345
VMS65-50	1001	660	1661	400	310	345
VMS65-60-2	1084	660	1744	400	310	350
VMS65-60-1	1084	660	1744	400	310	370
VMS65-60	1084	660	1744	400	310	370
VMS65-70-2	1166	660	1826	400	310	375
VMS65-70-1	1166	660	1826	400	310	375
VMS65-70	1166	710	1826	400	310	435
VMS65-80-2	1248	710	1958	460	340	440
VMS65-80-1	1248	710	1958	460	340	440

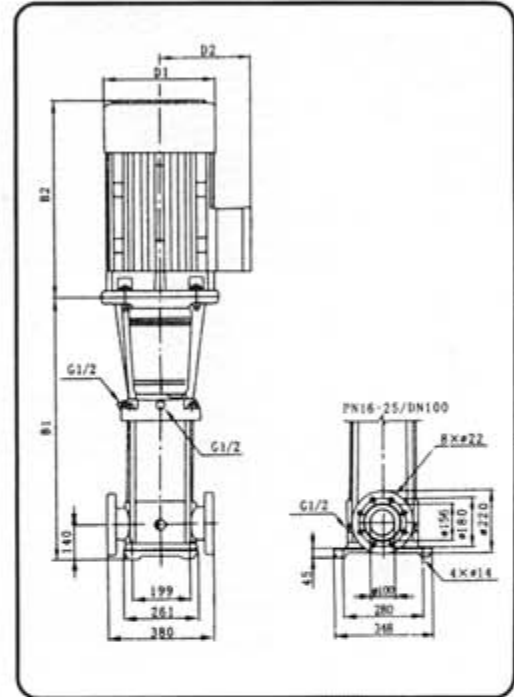
Technical Data

Performance curve



VMS 85

Dimensions



Performance table

Model	Power (kW)	Q (m³/h)	H (m)							
			50	60	70	80	85	90	100	110
VMS85-10-1	5.5	H (m)	22	19	17	16	14	13	10	6
VMS85-10	7.5		25	24	22	21	20	19	16	12
VMS85-20-2	11		41	39	36	32	30	28	22	15
VMS85-20	15		53	50	47	44	41	40	36	30
VMS85-30-2	18.5		68	65	60	55	52	49	41	32
VMS85-30	22		81	77	72	67	64	62	55	48
VMS85-40-2	30		98	93	87	80	75	72	62	50
VMS85-40	30		110	105	100	92	86	84	76	66
VMS85-50-2	37		126	120	113	104	98	93	81	68
VMS85-50	37		139	131	124	115	110	106	94	83
VMS85-60-2	45		155	148	139	129	122	117	102	86
VMS85-60	45		168	160	150	141	134	130	117	103

Size and weight

Model	Size (mm)					Weight (kg)
	B1	B2	B1+B2	D1	D2	
VMS85-10-1	571	430	1001	260	208	120
VMS85-10	571	430	1001	260	208	122
VMS85-20-2	773	490	1263	330	255	165
VMS85-20	773	490	1263	330	255	198
VMS85-30-2	865	550	1415	330	255	212
VMS85-30	865	590	1455	360	285	265
VMS85-40-2	957	660	1617	400	310	348
VMS85-40	957	660	1617	400	310	348
VMS85-50-2	1049	660	1709	400	310	375
VMS85-50	1049	660	1709	400	310	375
VMS85-60-2	1141	710	1851	460	340	438
VMS85-60	1141	710	1851	460	340	438

Max suction pressure(60HZ)

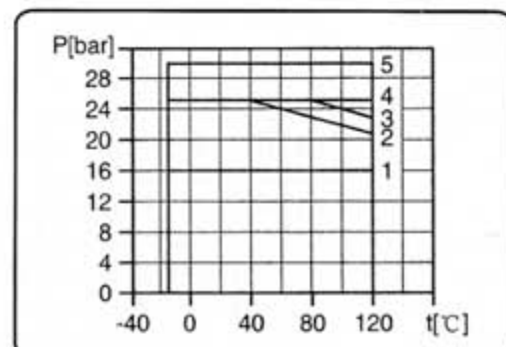
The maximum suction pressure is shown in the table below. But the actual suction pressure plus the valve close pressure of the pump shall be lower than the max.Allowable working pressure.

Model	Max Suction pressure
VMSS2	
2-20	6[bar]
2-30~2-70	10[bar]
2-90~2-180	15[bar]
VMSS4	
4-20	6[bar]
4-30~4-80	10[bar]
4-100~4-160	15[bar]
VMSS8	
8-20/1~8-50	6[bar]
8-60~8-140	10[bar]
VMSS16	
16-20/1~16-20	6[bar]
16-30~16-100	10[bar]
VMSS32	
32-10-1~32-30-2	4[bar]
32-20~32-70	10[bar]
32-80-2~32-100-2	15[bar]
VMSS42	
42-10-1~42-20-2	4[bar]
42-10~42-40-2	10[bar]
42-20~42-70	15[bar]
VMSS65	
65-10-1~65-20-2	4[bar]
65-20~65-30-2	10[bar]
65-30~65-50-2	15[bar]
VMSS85	
85-10-1~85-10	4[bar]
85-20-2~85-20	10[bar]
85-30-2~85-40-2	15[bar]

Max working pressure(60HZ)

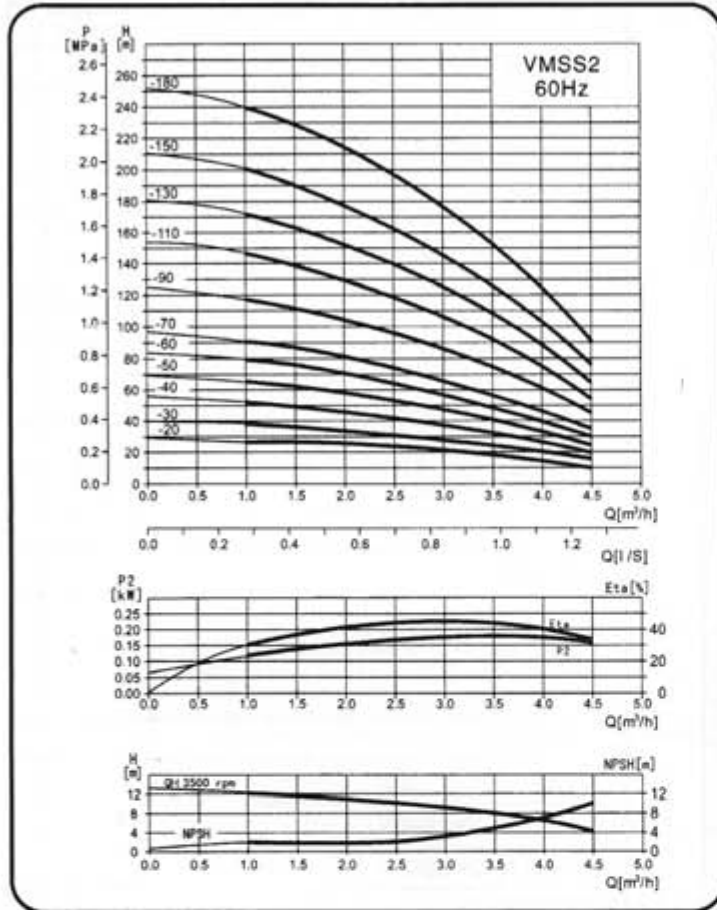
Model	Curve number
VMSS2	
2-20-100	1
2-110~2-180	2
VMSS4	
4-20~4-100	1
4-120~4-160	2
VMSS8	
8-20/1~8-80	1
8-100~8-140	3
VMSS16	
16-20~16-60	1
16-70~16-100	3
VMSS32	
32-10-1~32-50-2	1
32-50~32-90-2	4
32-90~32-100-2	5
VMSS42	
42-10-1~42-30	1
42-40-2~42-60	4
42-70-2~42-70	5
VMSS65	
65-10-1~65-30	1
65-40-2~65-50-2	4
VMSS85	
85-10-1~85-30	1
85-40-2	4

The following figure shows the limitation of pressure and temperature, which shall be kept within the region as shown in the figure.



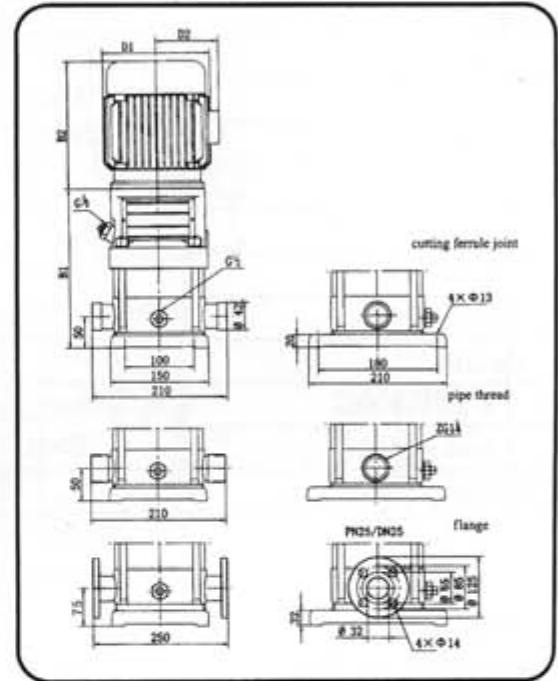
Technical Data

Performance curve



VMSS 2

Dimensions



Performance table

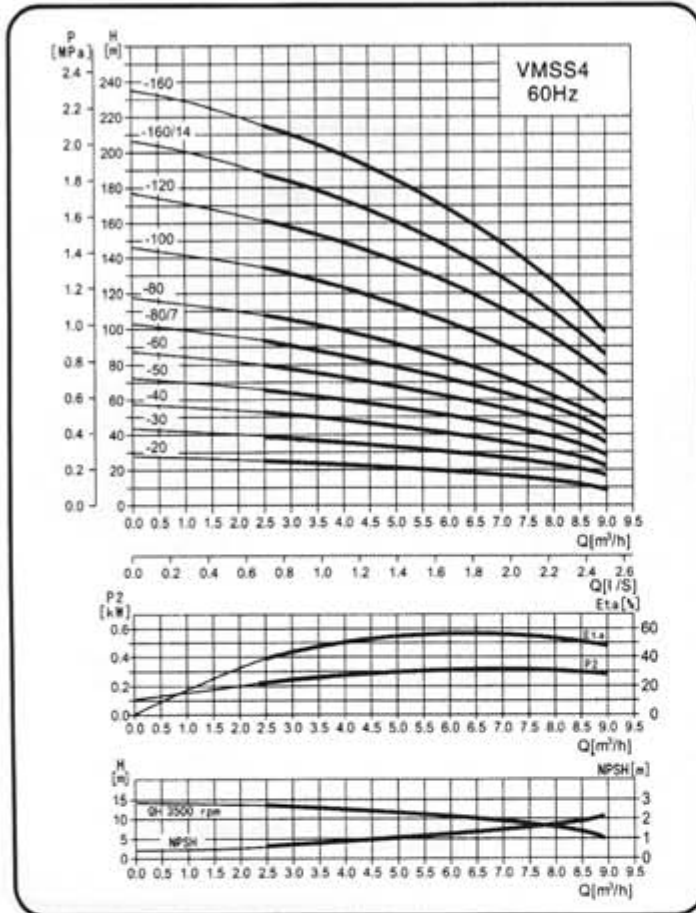
Model	Power (kW)	Q (m³/h)	H (m)								
			1	1.5	2	2.5	3	3.5	4	4.5	
VMSS2-20	0.55		26	24	22	21	19	16	12	9	
VMSS2-30	0.75		39	36	34	31	27	24	19	15	
VMSS2-40	1.1		52	48	45	42	36	32	26	20	
VMSS2-50	1.1		65	61	57	52	46	41	33	25	
VMSS2-60	1.1		78	74	69	63	56	49	40	30	
VMSS2-70	1.5		92	86	81	74	66	57	47	35	
VMSS2-90	2.2		118	111	104	95	86	76	61	45	
VMSS2-110	2.2		144	137	128	117	106	91	75	55	
VMSS2-130	3		271	163	152	139	126	108	90	66	
VMSS2-150	3		198	188	176	161	146	125	104	77	
VMSS2-180	4		238	228	212	195	175	151	126	94	

Size and weight

Model	Size (mm)					Weight (kg)
	B1	B2	B1+B2	D1	D2	
VMSS2-20	220	225	445	148	117	20
VMSS2-30	238	225	463	170	142	20
VMSS2-40	256	245	501	170	142	25
VMSS2-50	274	245	519	170	142	25
VMSS2-60	297	245	542	170	142	25
VMSS2-70	325	245	570	170	155	30
VMSS2-90	361	265	626	190	155	35
VMSS2-110	397	265	662	190	155	35
VMSS2-130	450	290	740	197	165	40
VMSS2-150	486	290	776	197	165	40
VMSS2-180	540	325	865	230	165	45

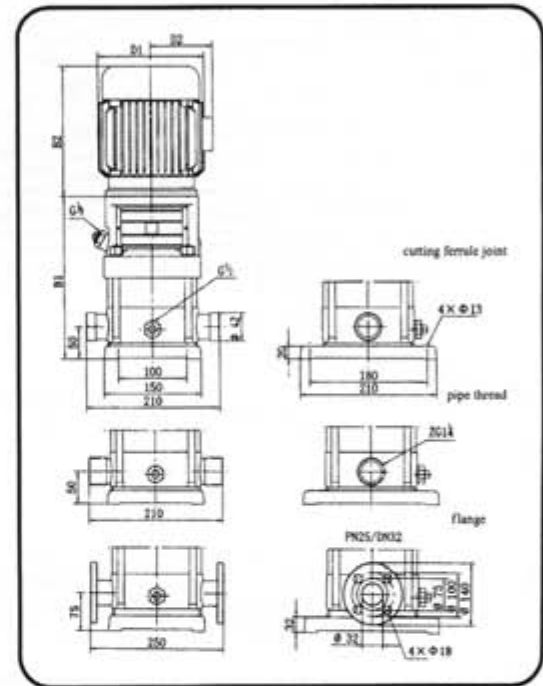
Technical Data

Performance curve



VMSS 4

Dimensions



Performance table

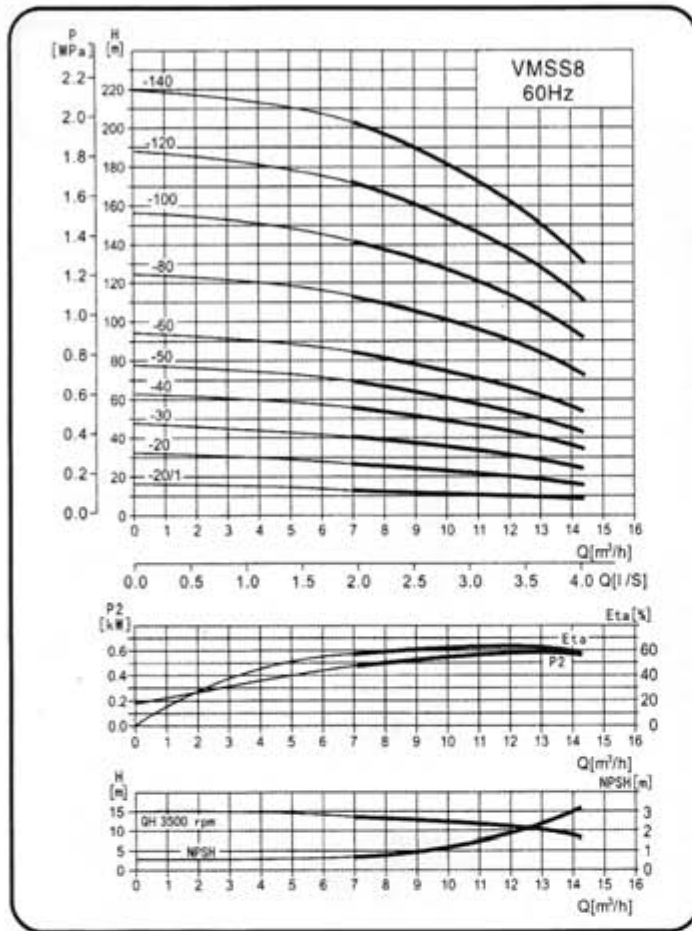
Model	Power (kW)	Q (m³/h)	2.5	3	4	5	6	7	8	9
VMSS4-20	0.75	H (m)	26	25	23	21	19	16	14	11
VMSS4-30	1.1		40	39	39	32	30	26	22	18
VMSS4-40	1.5		53	52	48	44	41	35	31	24
VMSS4-50	2.2		66	65	60	55	51	44	39	30
VMSS4-60	2.2		80	78	73	67	61	54	47	36
VMSS4-70	3		93	91	85	78	71	63	55	42
VMSS4-80	3		107	104	97	90	82	73	63	49
VMSS4-100	4		134	130	121	113	103	92	80	61
VMSS4-120	4		161	156	145	136	125	111	96	74
VMSS4-140	5.5		188	183	170	159	146	130	112	86
VMSS4-160	5.5		215	210	196	183	168	149	128	99

Size and weight

Model	Size (mm)					Weight (kg)
	B1	B2	B1+B2	D1	D2	
VMSS4-20	241	225	466	170	142	20
VMSS4-30	271	245	516	170	142	20
VMSS4-40	312	245	557	190	155	25
VMSS4-50	340	265	605	190	155	30
VMSS4-60	367	265	632	190	155	35
VMSS4-70	402	290	692	197	165	40
VMSS4-80	429	290	719	197	165	40
VMSS4-100	482	325	807	230	188	45
VMSS4-120	536	325	861	230	188	45
VMSS4-140	611	380	991	260	208	70
VMSS4-160	665	380	1045	260	208	70

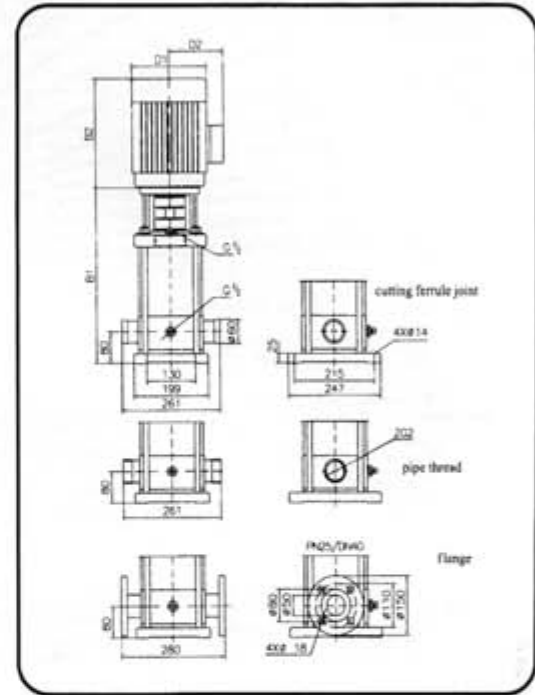
Technical Data

Performance curve



VMSS 8

Dimensions



Performance table

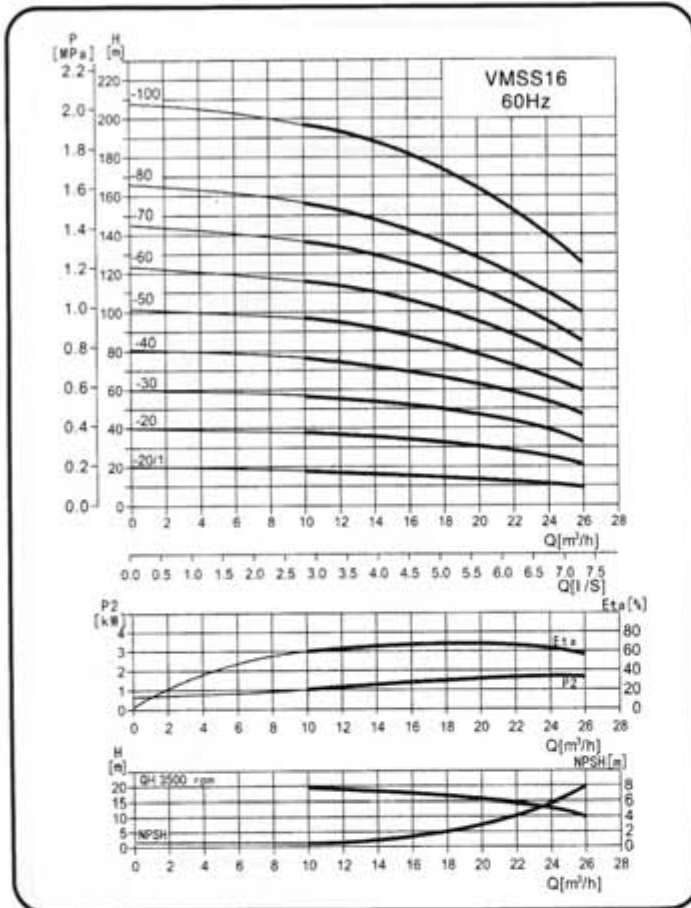
Model	Power (kW)	Q (m³/h)	7	8	9	10	11	12	13	14
VMSS8-20/1	0.75	H (m)	13	12	11.5	11	10.5	10	9.5	9
VMSS8-20	1.5		27	26	25	24	23	22	20	18
VMSS8-30	2.2		41	40	38	37	35	33	31	28
VMSS8-40	3		55	54	52	50	47	45	42	38
VMSS8-50	3		70	68	65	63	59	56	52	48
VMSS8-60	4		85	82	78	76	72	68	63	58
VMSS8-80	5.5		115	111	105	101	97	91	85	78
VMSS8-100	7.5		145	140	132	126	122	115	107	98
VMSS8-120	7.5		175	169	160	152	148	139	129	118
VMSS8-140	11		205	198	188	179	174	163	152	139

Size and weight

Model	Size (mm)					Weight (kg)
	B1	B2	B1+B2	D1	D2	
VMSS8-20/1	350	225	575	170	142	25
VMSS8-20	360	245	605	190	155	30
VMSS8-30	390	265	655	192	155	35
VMSS8-40	430	290	720	197	165	40
VMSS8-50	460	290	750	197	165	45
VMSS8-60	490	325	815	230	188	50
VMSS8-80	570	380	950	230	188	75
VMSS8-100	630	380	1010	260	208	85
VMSS8-120	690	380	1070	260	208	85
VMSS8-140	780	490	1270	330	255	130

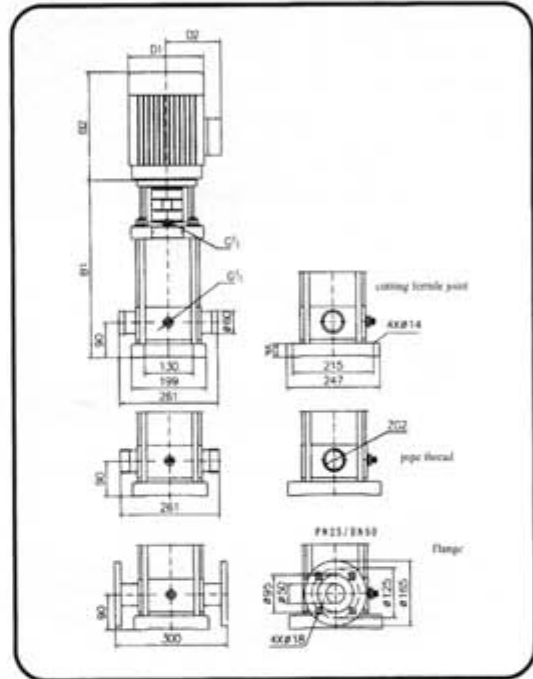
Technical Data

Performance curve



VMSS 16

Dimensions



Performance table

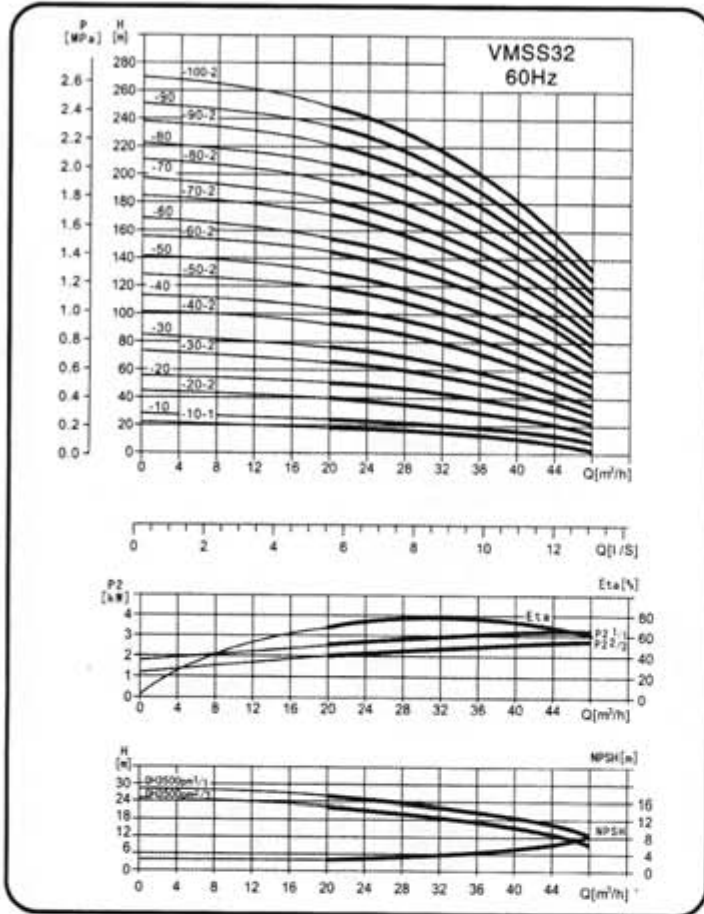
Model	Power (kW)	Q (m³/h)	H (m)									
			10	12	14	16	18	20	22	24	26	
VMSS16-20/1	2.2		19	18.5	18	17	16	15	14	13	11	
VMSS16-20	4		38	37.5	37	36	34	32	30	27	24	
VMSS16-30	5.5		57	56	55	54	51	48	45	40	36	
VMSS16-40	7.5		76	75	73	72	68	64	60	54	49	
VMSS16-50	11		96	94	92	90	85	80	75	68	62	
VMSS16-60	11		115	113	111	108	102	96	91	82	75	
VMSS16-70	15		135	132	129	126	119	113	106	96	88	
VMSS16-80	15		155	152	148	144	137	130	122	111	101	
VMSS16-100	18.5		197	192	187	181	174	165	153	141	127	

Size and weight

Model	Size (mm)					Weight (kg)
	B1	B2	B1+B2	D1	D2	
VMSS16-20/1	400	290	690	190	155	40
VMSS16-20	410	325	735	230	188	50
VMSS16-30	475	430	905	260	208	70
VMSS16-40	520	430	950	260	208	80
VMSS16-50	595	490	1085	330	255	140
VMSS16-60	640	490	1130	330	255	145
VMSS16-70	685	490	1175	330	255	160
VMSS16-80	730	490	1220	330	255	160
VMSS16-100	820	550	1370	330	255	190

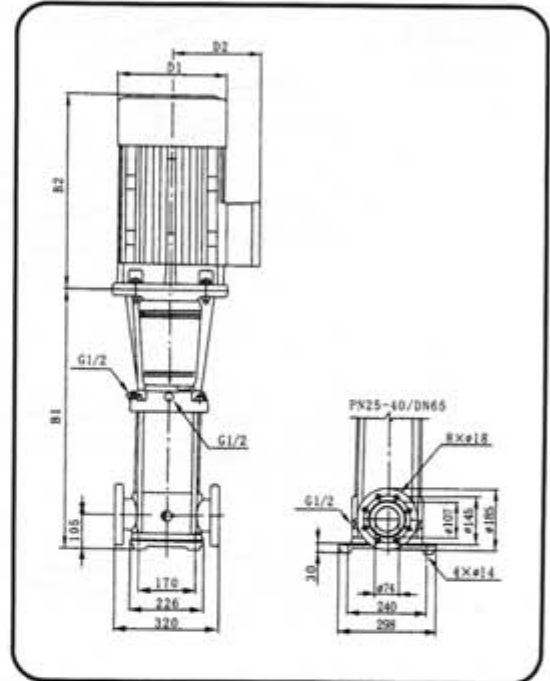
Technical Data

Performance curve



VMSS 32

Dimensions



Performance table

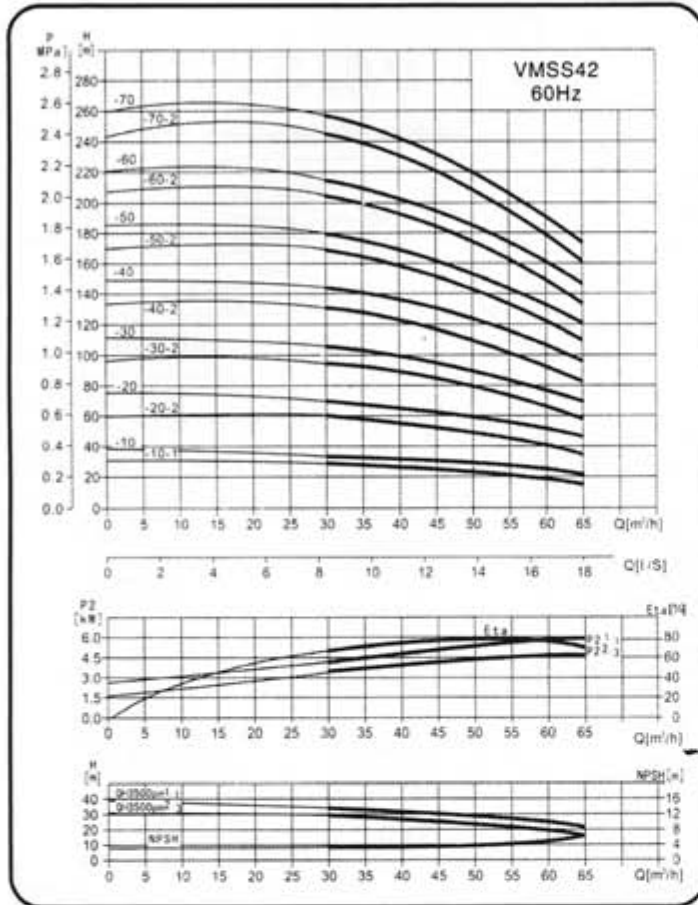
Model	Power (kW)	Q (m³/h)	H (m)								
			20	24	28	32	36	40	44	48	
VMS32-10-1	3.0	H (m)	20	19	18	17	15	13	10	7	
VMS32-10	4.0		26	25	24	23	21	19	17	14	
VMS32-20-2	5.5		41	40	38	35	31	27	22	17	
VMS32-20	7.5		52	50	48	45	41	37	33	27	
VMS32-30-2	7.5		67	64	61	57	52	46	39	31	
VMS32-30	11		78	75	71	67	62	56	50	40	
VMS32-40-2	11		94	91	87	81	73	65	56	45	
VMS32-40	15		104	101	96	91	83	75	66	55	
VMS32-50-2	15		119	115	109	102	94	84	73	59	
VMS32-50	18.5		130	125	119	112	104	94	83	69	
VMS32-60-2	18.5		105	140	134	126	116	104	90	74	
VMS32-60	18.5		155	150	144	136	126	114	100	81	
VMS32-70-2	22		172	166	158	149	137	123	106	86	
VMS32-70	22		182	176	168	159	148	133	118	97	
VMS32-80-2	22		196	190	182	172	159	143	124	102	
VMS32-80	30		208	201	192	181	167	152	132	111	
VMS32-90-2	30		223	216	206	194	179	162	142	117	
VMS32-90	30		234	226	216	204	189	172	152	127	
VMS32-100-2	30		248	241	231	217	201	181	159	133	

Size and weight

Model	Size (mm)					Weight (kg)
	B1	B2	B1+B2	D1	D2	
VMS32-10-1	505	315	820	197	165	85
VMS32-10	505	335	840	230	188	95
VMS32-20-2	575	430	1005	260	208	105
VMS32-20	575	430	105	260	208	115
VMS32-30-2	645	490	1135	330	255	120
VMS32-30	750	490	1240	330	255	175
VMS32-40-2	820	490	1310	330	255	180
VMS32-40	820	490	1310	330	255	210
VMS32-50-2	890	490	1380	330	255	220
VMS32-50	890	550	1440	330	255	240
VMS32-60-2	960	550	1510	330	255	250
VMS32-60	960	550	1510	330	255	250
VMS32-70-2	1030	590	1620	360	285	285
VMS32-70	1030	590	1620	360	285	285
VMS32-80-2	1100	660	1760	400	310	290
VMS32-80	1100	660	1760	400	310	330
VMS32-90-2	1170	660	1830	400	310	340
VMS32-90	1170	660	1830	400	310	340
VMS32-100-2	1240	660	1900	400	310	350

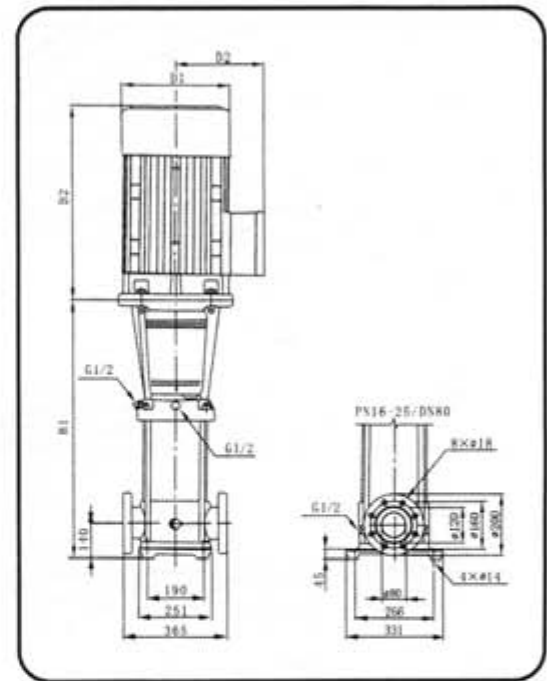
Technical Data

Performance curve



VMSS 42

Dimensions



Performance table

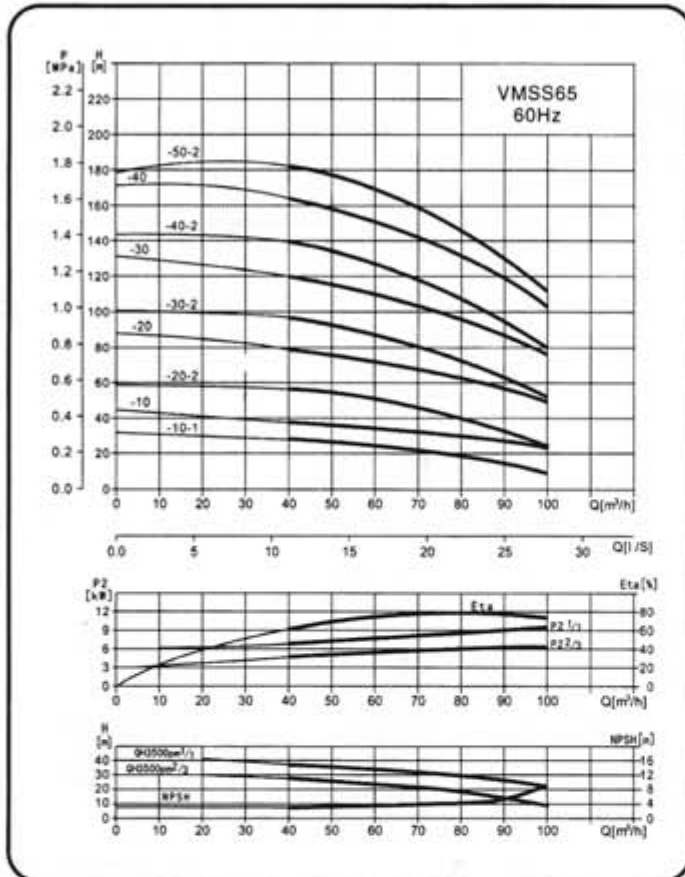
Model	Power (kW)	Q (m³/h)	H (m)							
			30	35	40	45	50	55	60	65
VMS42-10/1	5.5	H (m)	29	28	27	26	24	21	19	16
VMS42-10	7.5		34	33	32	31	29	27	25	22
VMS42-20-2	11		60	58	56	53	50	45	40	35
VMS42-20	15		70	68	66	63	60	56	52	47
VMS42-30-2	18.5		95	93	89	85	80	74	67	59
VMS42-30	18.5		106	104	100	96	90	84	78	70
VMS42-40-2	22		131	128	123	117	110	102	93	83
VMS42-40	30		144	141	136	130	124	116	107	97
VMS42-50-2	30		169	164	159	152	143	133	122	110
VMS42-50	30		180	175	169	162	154	144	134	121
VMS42-60-2	37		205	200	193	184	174	163	149	134
VMS42-60	37		215	210	203	195	185	174	161	147
VMS42-70-2	45		245	239	231	221	209	195	180	162
VMS42-70	45		257	250	242	232	220	207	191	174

Size and weight

Model	Size (mm)					Weight (kg)
	B1	B2	B1+B2	D1	D2	
VMS42-10/1	558	430	988	260	208	108
VMS42-10	558	430	988	260	208	113
VMS42-20-2	548	490	1038	330	255	154
VMS42-20	548	490	1038	330	255	187
VMS42-30-2	828	550	1378	330	255	201
VMS42-30	828	550	1378	330	255	201
VMS42-40-2	908	590	1498	360	285	258
VMS42-40	908	660	1568	400	310	336
VMS42-50-2	988	660	1648	400	310	341
VMS42-50	988	660	1648	400	310	341
VMS42-60-2	1068	660	1728	400	310	365
VMS42-60	1068	660	1728	400	310	365
VMS42-70-2	1148	710	1858	460	340	435
VMS42-70	1148	710	1858	460	340	435

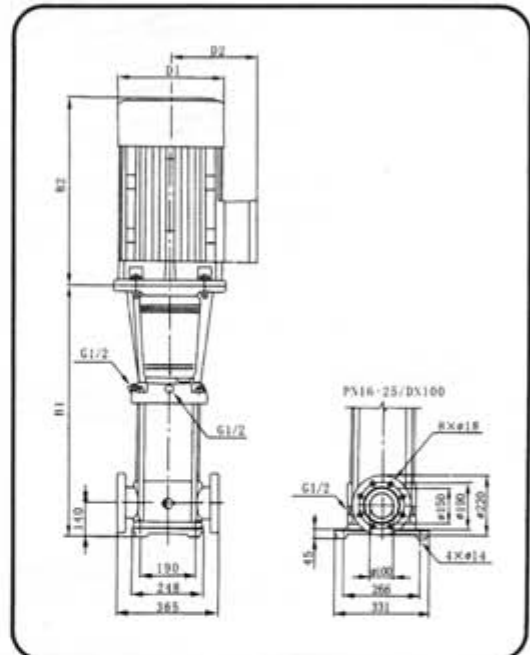
Technical Data

Performance curve



VMSS 65

Dimensions



Performance table

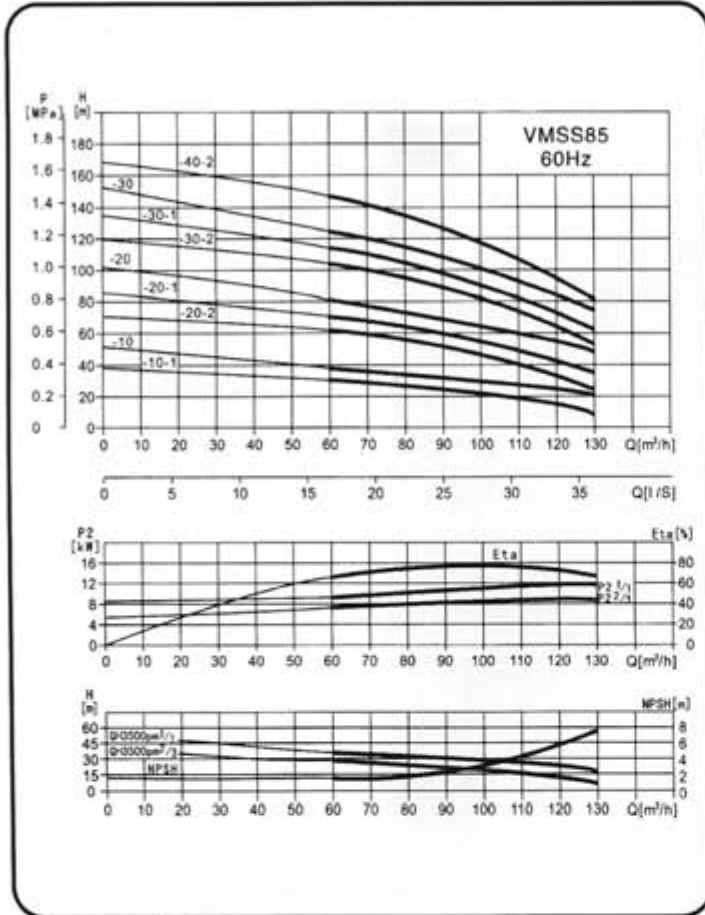
Model	Power (kW)	Q (m³/h)	40	50	60	70	80	90	100
VMS65-10-1	7.5	H (m)	28	27	25	23	19	15	10
VMS65-10	11		38	37	35	33	30	27	24
VMS65-20-2	15		57	55	52	47	41	33	25
VMS65-20	22		79	75	72	68	63	57	50
VMS65-30-2	22		97	93	88	81	73	64	53
VMS65-30	30		120	115	110	104	96	87	77
VMS65-40-2	37		139	134	127	118	108	96	81
VMS65-40	45		164	158	151	142	131	119	104
VMS65-50-2	45		182	177	169	159	146	130	112

Size and weight

Model	Size (mm)					Weight (kg)
	B1	B2	B1+B2	D1	D2	
VMS65-10-1	561	430	991	260	208	115
VMS65-10	671	490	1161	330	255	152
VMS65-20-2	754	490	1244	330	255	190
VMS65-20	754	590	1344	360	285	252
VMS65-30-2	836	590	1426	360	285	257
VMS65-30	836	660	1496	400	310	335
VMS65-40-2	919	660	1579	400	310	360
VMS65-40	919	710	1629	460	340	425
VMS65-50-2	1001	710	1711	460	340	430

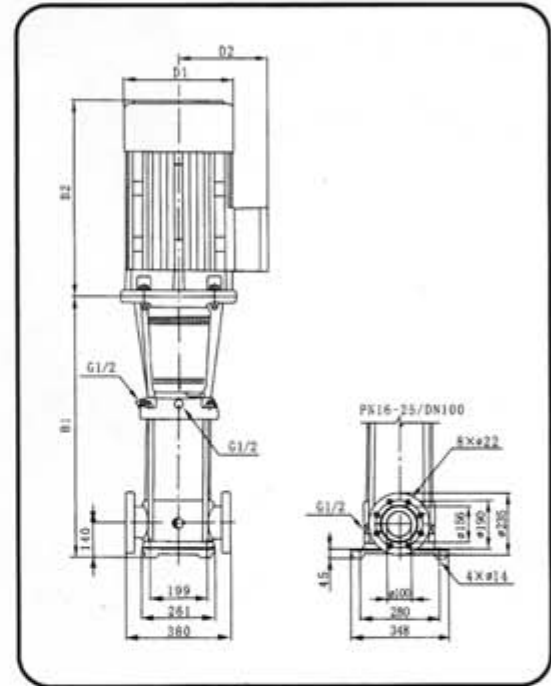
Technical Data

Performance curve



VMSS 85

Dimensions

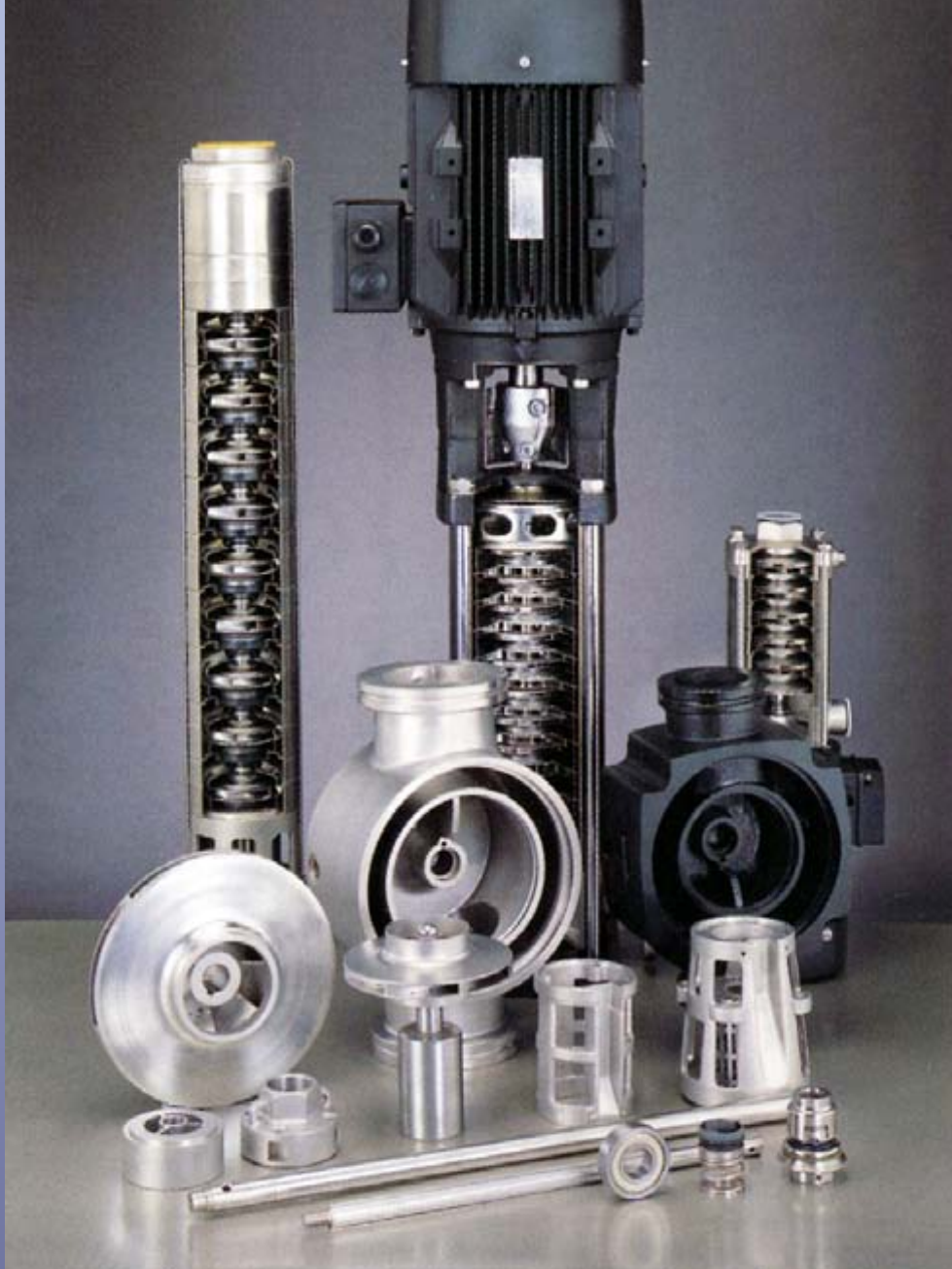


Performance table

Model	Power (kW)	Q (m³/h)	60	70	80	90	100	110	120	130
VMS85-10-1	11	H (m)	31	29	28	26	23	20	16	10
VMS85-10	15		38	36	35	33	31	29	26	22
VMS85-20-2	18.5		62	60	56	52	48	41	35	26
VMS85-20-1	22		71	68	65	61	56	50	44	37
VMS85-20	30		81	77	74	70	66	62	56	50
VMS85-30-2	37		104	100	95	89	83	75	65	55
VMS85-30-1	37		114	110	104	98	91	83	75	64
VMS85-30	45		125	120	115	109	102	94	86	76
VMS85-40-2	45		147	142	135	127	118	108	96	83

Size and weight

Model	Size (mm)					Weight (kg)
	B1	B2	B1+B2	D1	D2	
VMS85-10-1	571	490	1061	330	255	184
VMS85-10	571	490	1061	330	255	184
VMS85-20-2	773	550	1323	330	255	264
VMS85-20-1	773	590	1363	360	285	264
VMS85-20	773	660	1433	400	310	329
VMS85-30-2	865	660	1525	400	310	363
VMS85-30-1	865	660	1525	400	310	363
VMS85-30	865	710	1575	460	340	363
VMS85-40-2	957	710	1667	460	340	430



**t/a APE Pumps UK Ltd
Manorcroft, Essendine Road
Ryhall, Rutland, PE9 4HE**

Telephone:

+44 (0)1572 721474

Facsimile:

+44 (0)1780 481725

Email:

sales@apepumps.co.uk

Web site:

www.apepumps.co.uk